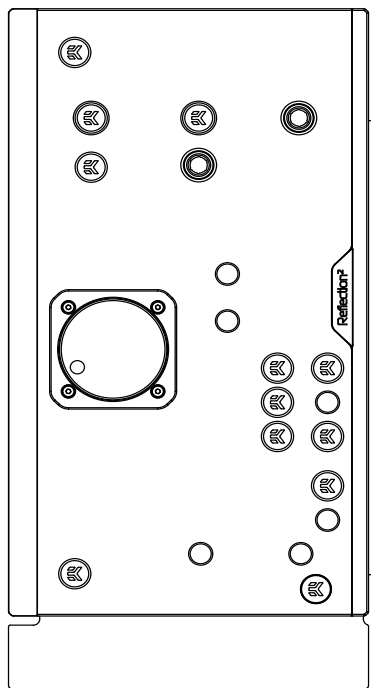


# EK-Quantum Reflection<sup>2</sup> PC-011D EVO D5 PWM D-RGB

DISTRIBUTION PLATE



Please note the installation of the product is intended to be undertaken by an adequately trained and experienced person. You are installing the product at your own risk. If you are not properly trained or experienced or feel unsure about the installation procedure, please refrain from installing the product yourself and contact our tech support for assistance. We disclaim our liability for any damages to the product as well as incidental, consequential, or indirect damages incurred due to improper or inappropriate installation

Before you start using this product please follow these basic guidelines:

**Please carefully read the manual before beginning with the installation process!**

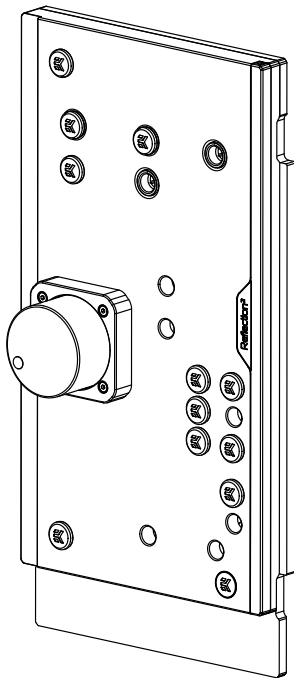
**The EK Fittings require only a small amount of force to screw them firmly in place since the liquid seal is ensured by the rubber O-ring gaskets.**

**The use of corrosion inhibiting coolants is always recommended for any liquid cooling system. EKWB recommends any of the EK Cryofuel for worry-free usage.**

# TABLE OF CONTENT

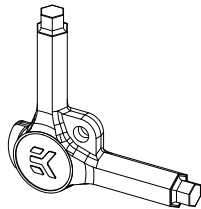
<b>BOX CONTENTS</b>	<b>4</b>
<b>DISTRIBUTION PLATE DIMENSIONS</b>	<b>5</b>
<b>TECHNICAL SPECIFICATIONS AND PRODUCT PARTS</b>	<b>6</b>
<b>PREPARING THE 011D EVO CHASSIS</b>	<b>7</b>
<b>PREPARING AND INSTALLING THE DISTRIBUTION PLATE</b>	<b>8</b>
<b>RECOMMENDED DISTRIBUTION PLATE CONFIGURATIONS</b>	<b>9</b>
<b>ATTACHING THE PUSH-IN ADAPTER (OPTIONAL)</b>	<b>11</b>
<b>FLOW DIAGRAM</b>	<b>12</b>
<b>CONNECTING THE D-RGB LED STRIP</b>	<b>13</b>
<b>CONNECTING THE PUMP</b>	<b>13</b>
<b>TESTING THE LOOP</b>	<b>14</b>
<b>SUPPORT AND SERVICE</b>	<b>15</b>
<b>SOCIAL MEDIA</b>	<b>15</b>

## BOX CONTENTS

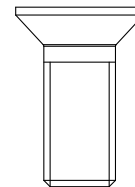
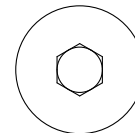


EK-Quantum Reflection<sup>2</sup> PC-O11D  
EVO D5 PWM D-RGB

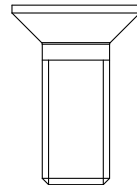
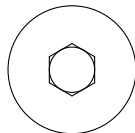
### Mounting Mechanism EAN: 105504



EK-Loop Multi Allen Key (1 pc)



Screw M4x8 DIN7991 (2 pcs)



Screw M3x8 DIN7991 (2 pcs)

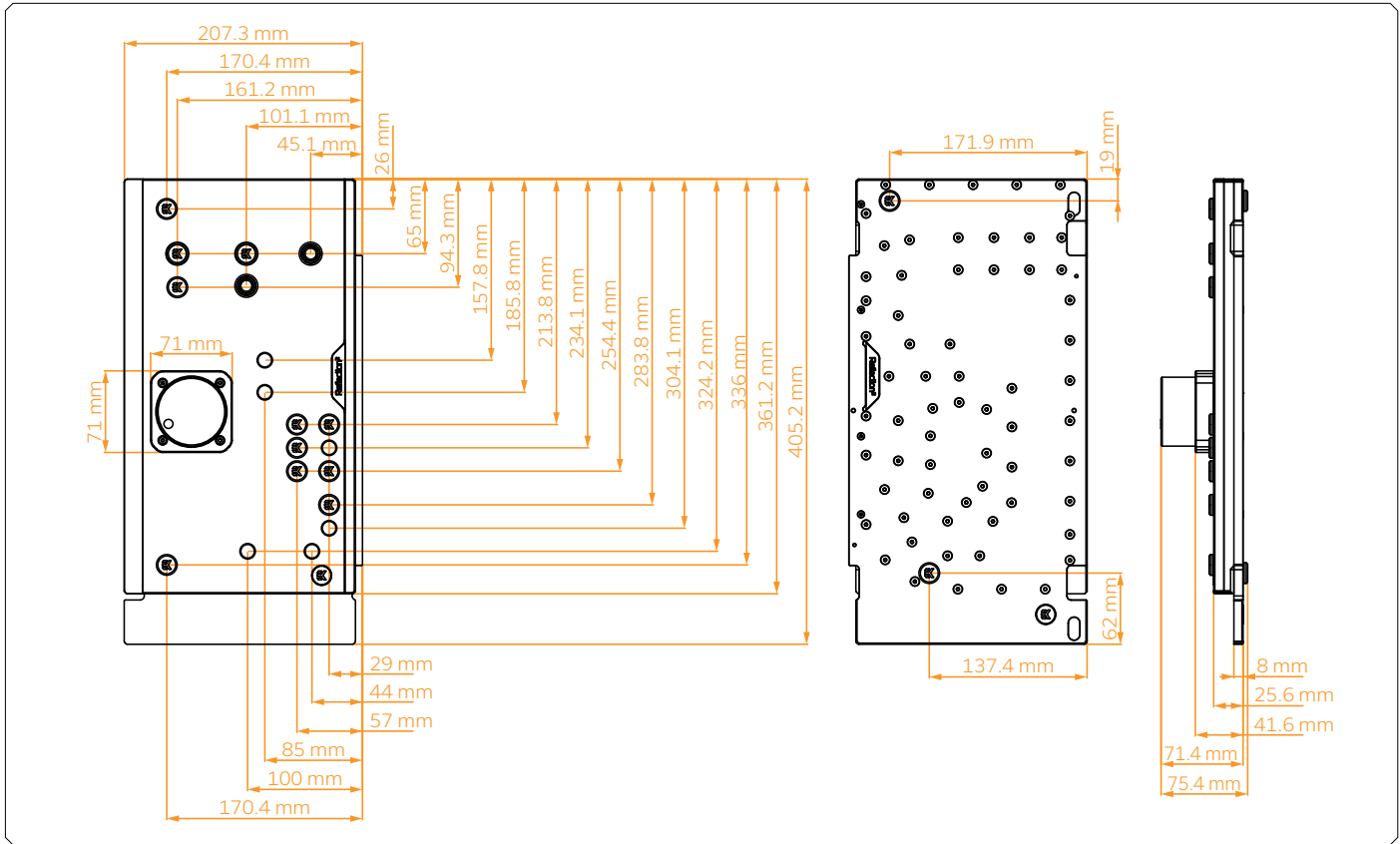


Allen Key 2.5 mm (1 pc)

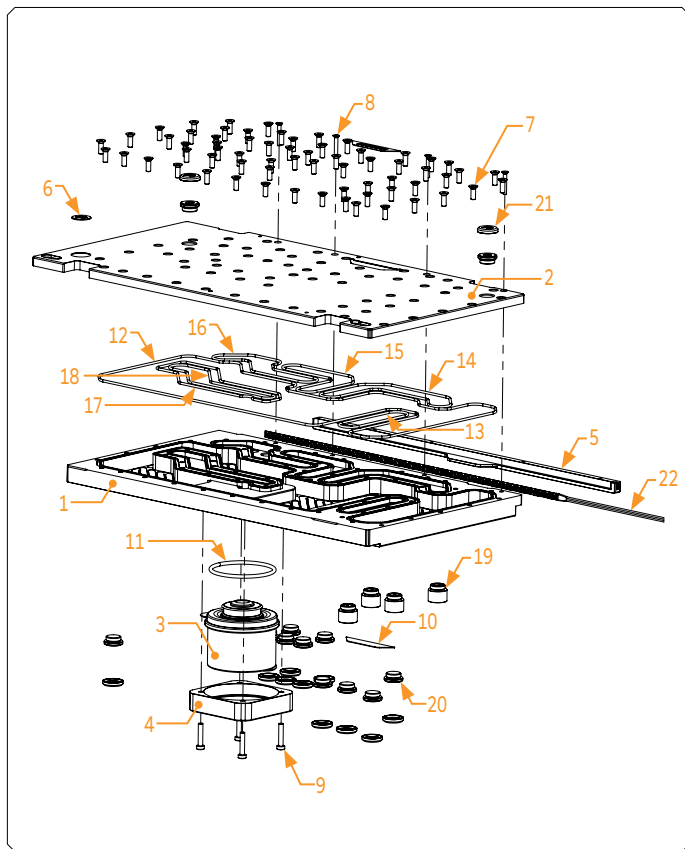


Allen Key 2 mm (1 pc)

# DISTRIBUTION PLATE DIMENSIONS



## TECHNICAL SPECIFICATIONS AND PRODUCT PARTS



### Technical Specification:

Dimensions with the attached pump (W x D x H): 207.3 x 75.4 x 405.2 mm

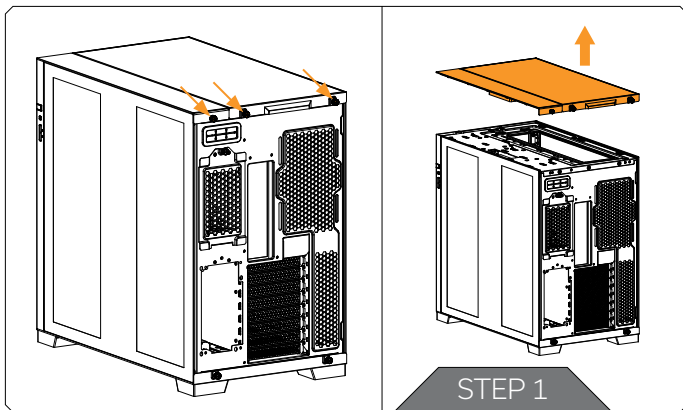
- D-RGB LED count: 21

- D-RGB cable length: 500 mm

- D-RGB connector standard 3-pin (+5V, Data, Blocked, Ground)

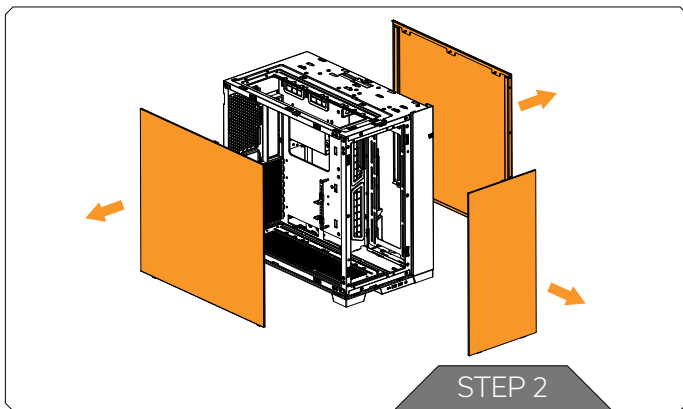
Position	EAN	Description	Quantity
1	104705	TOP Plexi (Block part)	1
2	104706	TOP Plexi (Lid part)	1
3	3831109837597	EK D5 Pump	1
4	101803	Pump holder	1
5	104709	LED Cover (Black e.)	1
6	100663	EK - Badge	2
7	8206	Screw M4 x 12 DIN7991	65
8	8204	Screw M3 x 20 DIN7991	4
9	9017	Screw M4 x 20 DIN7984	4
10	104599	Mylar sticker	2
11	5154	OR - 52 x 3 NBR50	1
12	104716	OR - 397 x 2 mm	1
13	104717	OR - 57 x 2 mm	1
14	104718	OR - 113 x 2 mm	1
15	104719	OR - 94 x 2 mm	1
16	104720	OR - 102 x 2 mm	1
17	104721	OR - 128 x 2 mm	1
18	104722	OR - 108 x 2 mm	1
19	3831109895313	Push-in adapter	4
20	102639	EK - Plug G1/4	13
21	3831109834282	Plug cover (Acetal)	13
22	102458	LED D-RGB strip 800/600 mm	1

## PREPARING THE 011D EVO CHASSIS



### STEP 1

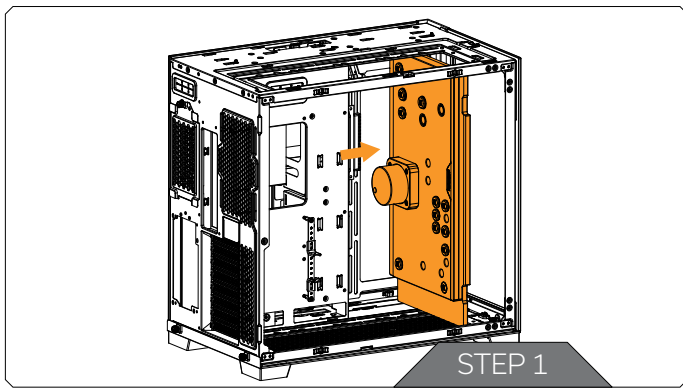
Unscrew the factory provided screws and remove the top panels from the case.



### STEP 2

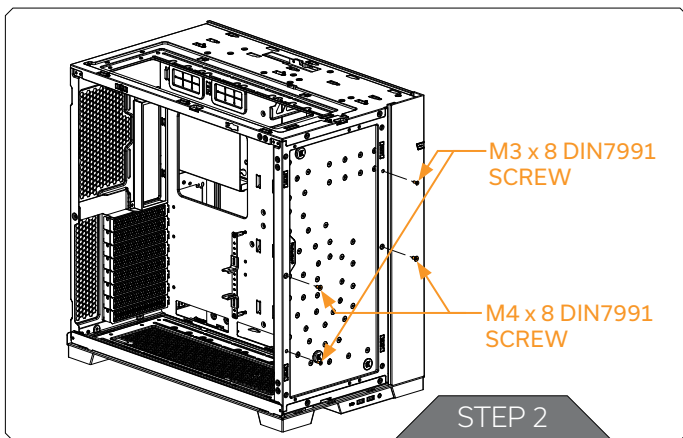
Remove both side panels and the front panel from the case.

## PREPARING AND INSTALLING THE DISTRIBUTION PLATE



### STEP 1

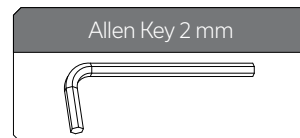
Carefully place the distribution plate into the case and align the mounting holes. Be careful not to scratch the acrylic!



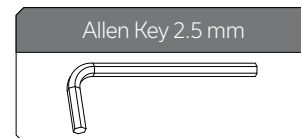
### STEP 2

Secure the distribution plate using the included M3 x 8 and M4 x 8 DIN7991 screws through the front frame of the case. The screws shouldn't be over-tightened to avoid cracking the plexi. The screw heads should sink in as not to interfere with the mounted front panel.

For this step you will need:



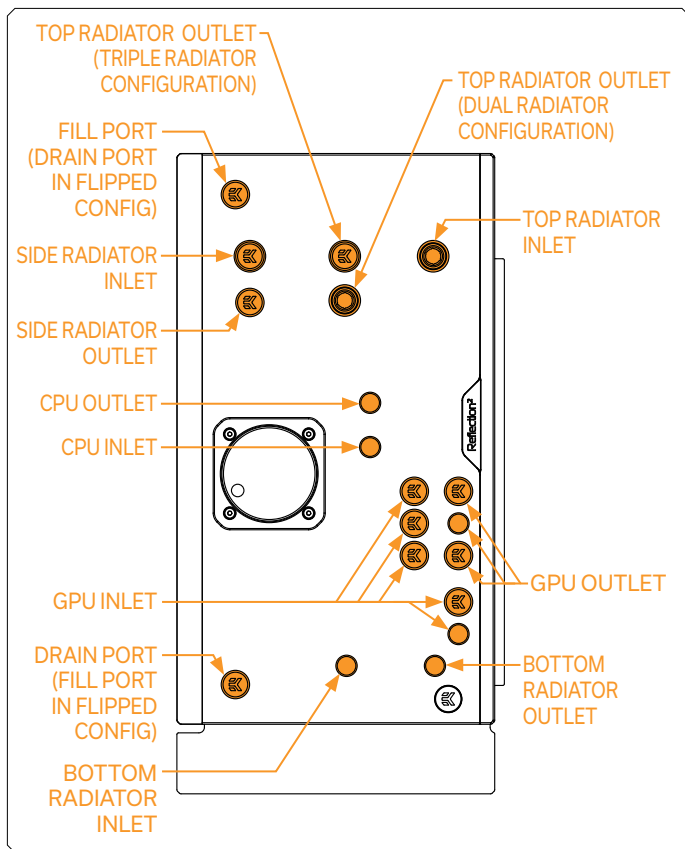
Allen Key 2 mm



Allen Key 2.5 mm



## RECOMMENDED DISTRIBUTION PLATE CONFIGURATIONS



To complete your loop, all ports must be used as marked in the image.

All remaining unused ports must be closed with supplied plugs, using the EK-Loop Multi Allen Key.



If one of the prescribed components will not be installed (ie. bottom radiator or GPU block) then one INLET and one OUTLET port must still be joined together in order for this distribution plate to function!



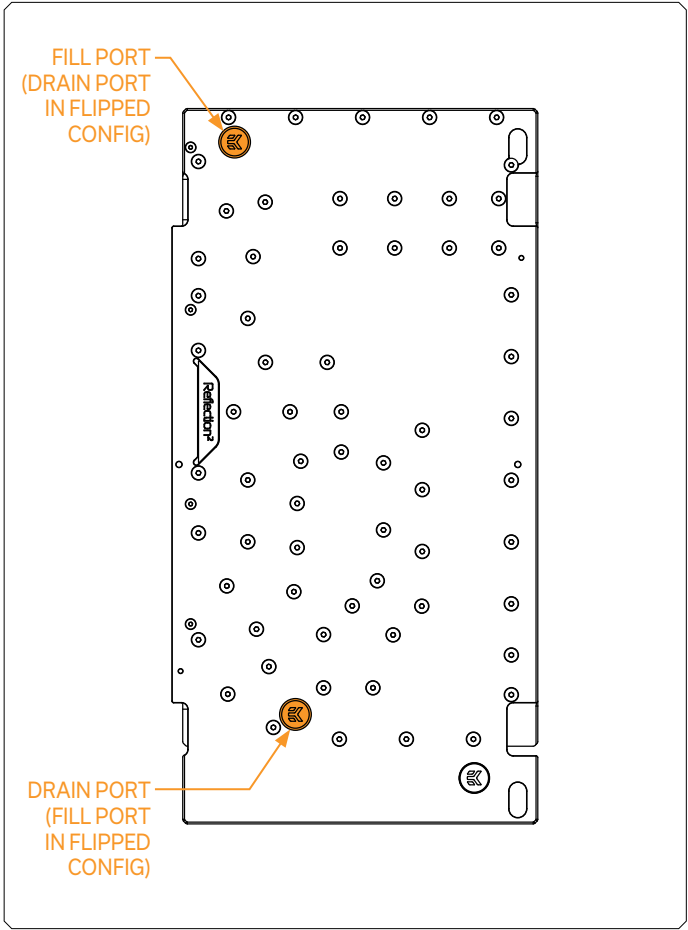
Note that the side radiator is completely optional and a loop without the side radiator can be completed without joining the two side radiator ports.



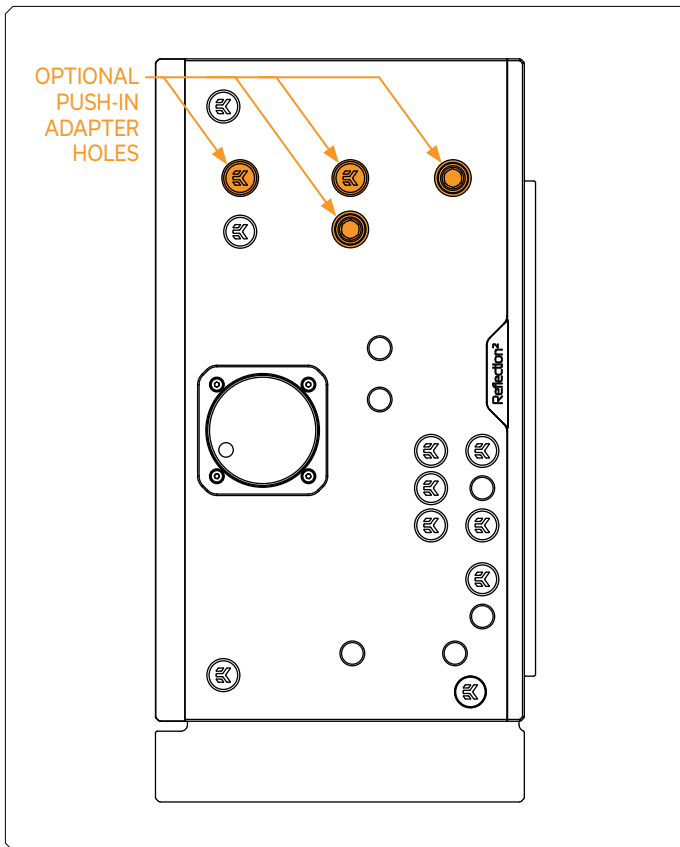
Only one INLET and one OUTLET port for the GPU connection can be used, while all other INLET and OUTLET GPU ports must be closed with G1/4 plugs (enclosed in the package).



The distribution plate is designed to function in both regular and inverted case configurations. Inverting the case does not change the port configuration.



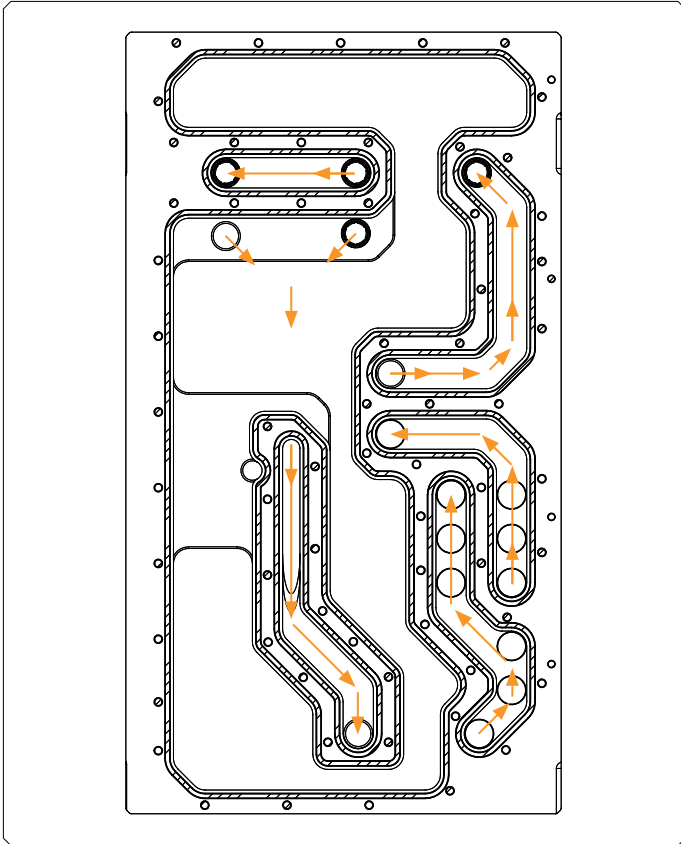
## ATTACHING THE PUSH-IN ADAPTER (OPTIONAL)



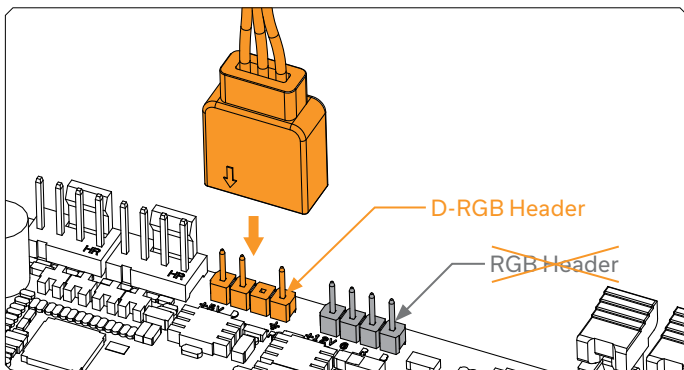
The push-in adapters can be attached to the marked places in the diagram.

For easier installation of the push-in adapters, EK recommends to lubricate the O-rings with a few drops of coolant or water.

# FLOW DIAGRAM

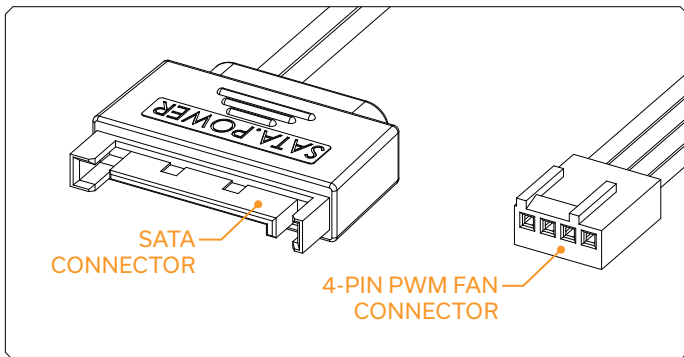


## CONNECTING THE D-RGB LED STRIP



Plug the 3-pin connector of the distribution plate D-RGB LED light to the D-RGB HEADER on the motherboard. The LED will work if the pin layout on the header is as follows: **+5V, Digital, Empty, Ground.**

## CONNECTING THE PUMP



The EK-D5 PWM pump has two connectors.

- 1. SATA Connector:** It must be connected directly to your PSU at all times as it is used to power the pump.
- 2. 4-pin PWM fan:** It can be connected to your motherboard's CPU\_ Fan or designated water pump header. It can also be connected to a controller. This cable is used to control and report the rotational speed of the pump. If it's not connected, the pump will run at maximum speed (100% PWM).

## TESTING THE LOOP

To make sure the installation of EK components was successful, we recommend you perform a leak test for 24 hours.

When your loop is complete and filled with coolant, connect the pump to a PSU outside of your system. Do not connect power to any of the other components. Turn on the PSU and let the pump run continuously. It is normal for the coolant level to drop during this process as air collects in the distribution plate.

Inspect all parts of the loop, and in the eventuality that coolant leaks, fix the issue and repeat the testing process. Ensure that all hardware is dry before the system is powered on in order to prevent any damage.

## SUPPORT AND SERVICE

In case you need assistance or wish to order spare parts or a new mounting mechanism, please contact:


**<https://www.ekwb.com/customer-support/>**

For spare parts orders, refer to the page with "TECHNICAL SPECIFICATIONS AND PRODUCT PARTS" where you can find the EAN number of each part you might need.


Include the EAN number with quantity in your request. Mounting Mechanism EAN can be found under "BOX CONTENTS"

Thermal pads are readily available in the EK shop


## SOCIAL MEDIA

 EKWaterBlocks

 @EKWaterBlocks

 ekwaterblocks

 EKWBofficial

 ekwaterblocks

