

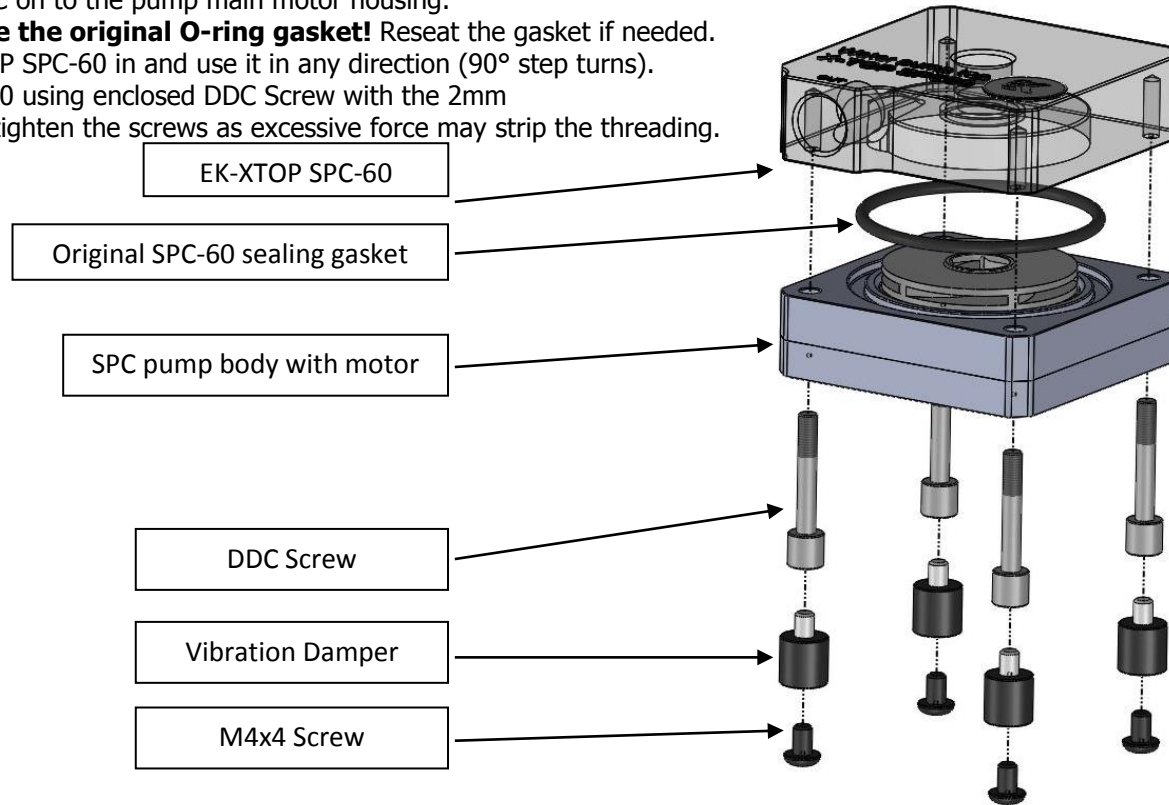
This product is intended for installation only by expert users. Please consult with a qualified technician for installation. Improper installation may result in damage to your equipment. EK Water Blocks assumes no liability whatsoever, expressed or implied, for the use of these products, nor their installation. The following instructions are subject to change without notice. Please visit our web site at www.ekwb.com for updates. Before installation of this product please read important notice, disclosure and warranty conditions printed on the back of the box.

Before you start using this product please follow these basic guidelines:

1. Please carefully read the manual before through before beginning with the installation process!
2. Please remove your motherboard from the computer to assure safest mounting process in order to prevent any possible damages to your CPU and/or motherboard's circuit board (PCB).
3. The EK-HFB and EK-ACF type fittings require only a small amount of force to screw them firmly in place since the liquid seal is ensured by the rubber O-ring gaskets.
4. The use of corrosion inhibiting coolants is always recommended for any liquid cooling system.

STEP 1: INSTALLING THE XTOP (Already done by EK)

1. Install the EK-XTOP SPC on to the pump main motor housing.
Make sure you re-use the original O-ring gasket! Reseat the gasket if needed. You can rotate the XTOP SPC-60 in and use it in any direction (90° step turns).
2. Secure the XTOP SPC-60 using enclosed DDC Screw with the 2mm Allen key. Do not over tighten the screws as excessive force may strip the threading.

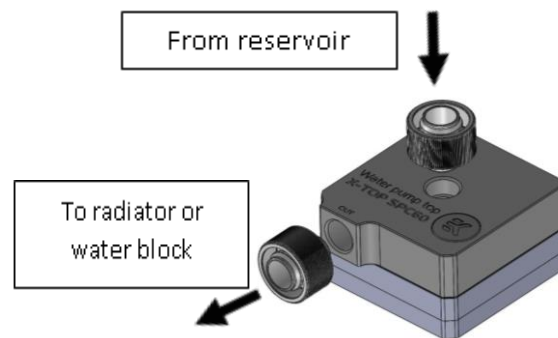


STEP 2: ATTACHING FITTINGS

Screw in the fittings in the G1/4 threaded openings on plastic top of the water block. EKWB recommends using EK-ACF fittings with the EK-XTOP SPC-60 series pump tops. To ensure that the tubes are securely attached to the barb/fittings, please use hose clamps or an appropriate substitute.

It is mandatory to use the correct INLET and OUTLET ports:

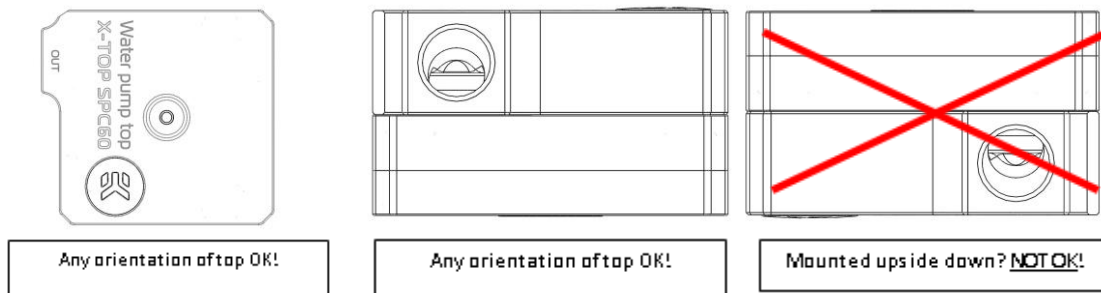
1. The OUTLET port (pressure port) is clearly marked with label 'OUT' engraved on the pump top housing.
2. The INLET port (suction port) is the central G1/4 opening on the EK-XTOP SPC-60 front face plane. Please refer to the picture on the right!



Use reservoir to feed the pump in order to prime it:

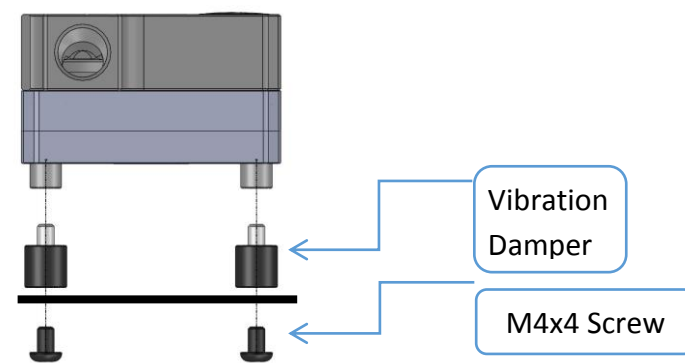
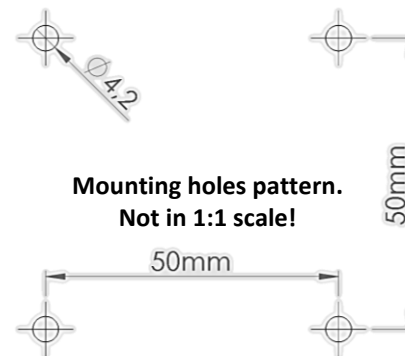
Connect reservoir **outlet** port with EK-XTOP SPC-60 **inlet** port!

This water pump & EK-XTOP SPC-60 combo can be used in any mounting configuration (position) apart from being mounted upside down! Mounting the pump upside down may result in pump running dry and eventually lead to premature failure of the pump!



The assembly can be mounted on any flat surface inside your computer chassis. One must drill four (4) 4.2mm holes using powerdrill in a 50x50mm square pattern. Please follow these steps:

1. Screw on Vibration Dampers on Custom DDC Screws
2. Drill four (4) 4.2mm holes into the chassis
3. Use enclosed M4x4mm screws to secure the pump to the chassis.



IMPORTANT DISCLOSURES:

VERY IMPORTANT NOTICE: Once the installation is completed, it is a recommended practice to test the cooling circuit for leaks prior to powering up the computer. We recommend a 24 hour leak test prior to powering up the computer. Do not test the water block using tap water pressure. This will rupture the top of the housing and render the block unusable (and will void your warranty). While all efforts have been made to provide the most comprehensive tutorial possible, EK Water Blocks assumes no liability expressed or implied for any consequential damage(s) occurring to your equipment as a result of using EK Water Blocks cooling products, either due to errors or omissions on our part in the above instructions, or due to failure or defect in the EK Water Blocks cooling products.

WARRANTY: Our products are warranted against defects in materials or workmanship for a period of 24 months beginning from the date of delivery to the final user. During this period, products will be repaired or have parts replaced at our discretion provided that: (I) the product is returned to the agent from whom it was purchased; (II) the product has been purchased by an end user and has not used for commercial purposes; (III) the product has not been misused, handled carelessly, or used in a manner other than in accordance with the instructions provided describing its installation and proper use. This warranty does not confer rights other than those expressly set out above and does not cover any claims for consequential loss or damage. This warranty is offered as an extra benefit and does not affect your statutory rights as a consumer. This warranty is voided if the product comes in contact with aggressive UV additives or other improper liquids.

Any other RMA issues can be reported to www.ekwb.com/support for further analysis.

REQUIRED TOOLS:



Allen key 2.5mm



Power drill with 4.2mm drill bit

