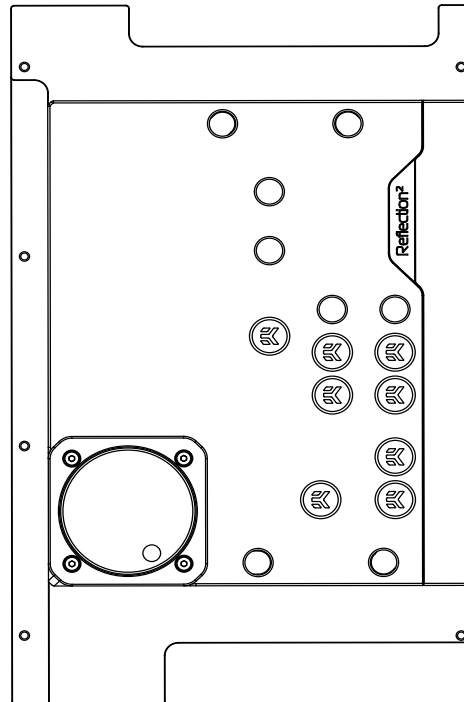


EK-Quantum Reflection² PC-011D Mini D5 PWM D-RGB

DISTRIBUTION PLATE



Please note the installation of the product is intended to be undertaken by an adequately trained and experienced person. You are installing the product at your own risk. If you are not properly trained or experienced or feel unsure about the installation procedure, please refrain from installing the product yourself and contact our tech support for assistance. We disclaim our liability for any damages to the product as well as incidental, consequential, or indirect damages incurred due to improper or inappropriate installation.

Before you start using this product please follow these basic guidelines:

Please carefully read the manual before beginning with the installation process!

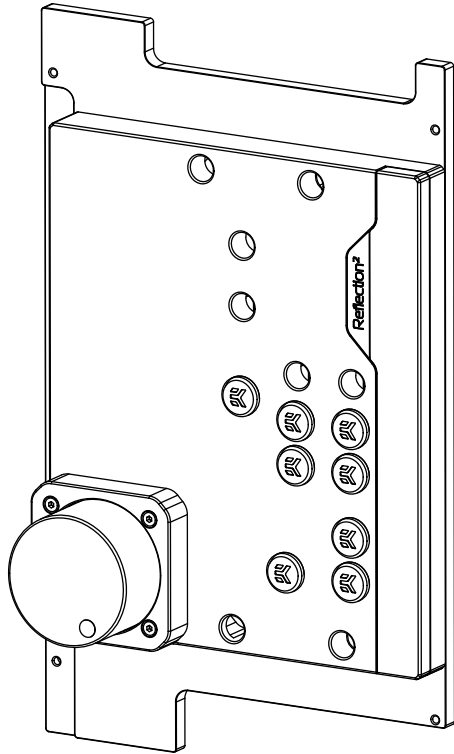
The EK Fittings require only a small amount of force to screw them firmly in place since the liquid seal is ensured by the rubber O-ring gaskets.

The use of quality market-proven corrosion-inhibiting coolants is always strongly recommended for any liquid cooling system. Do not use pure distilled water as a cooling liquid! For best results, EK recommends the use of EK-CryoFuel Coolants.

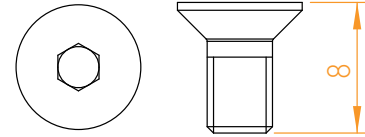
TABLE OF CONTENTS

BOX CONTENTS	4
DISTRIBUTION PLATE DIMENSIONS	5
TECHNICAL SPECIFICATIONS AND PRODUCT PARTS	6
PREPARING THE O11D Mini CHASSIS	7
INSTALLING THE DISTRIBUTION PLATE	8
RECOMMENDED DISTRIBUTION PLATE CONFIGURATIONS	9
7-SLOT CONFIGURATION	9
5-SLOT CONFIGURATION	11
FLOW DIAGRAM	13
CONNECTING THE D-RGB LED STRIP	14
CONNECTING THE PUMP	14
TESTING THE LOOP	15
SUPPORT AND SERVICE	16
SOCIAL MEDIA	16

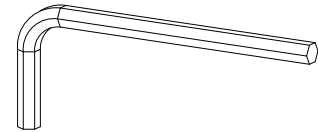
BOX CONTENTS



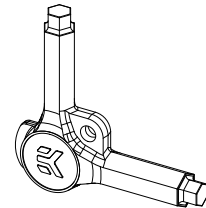
EK-Quantum Reflection² PC-O11D Mini D5 PWM D-RGB



M4 x 8 7991DIN (8 pcs)

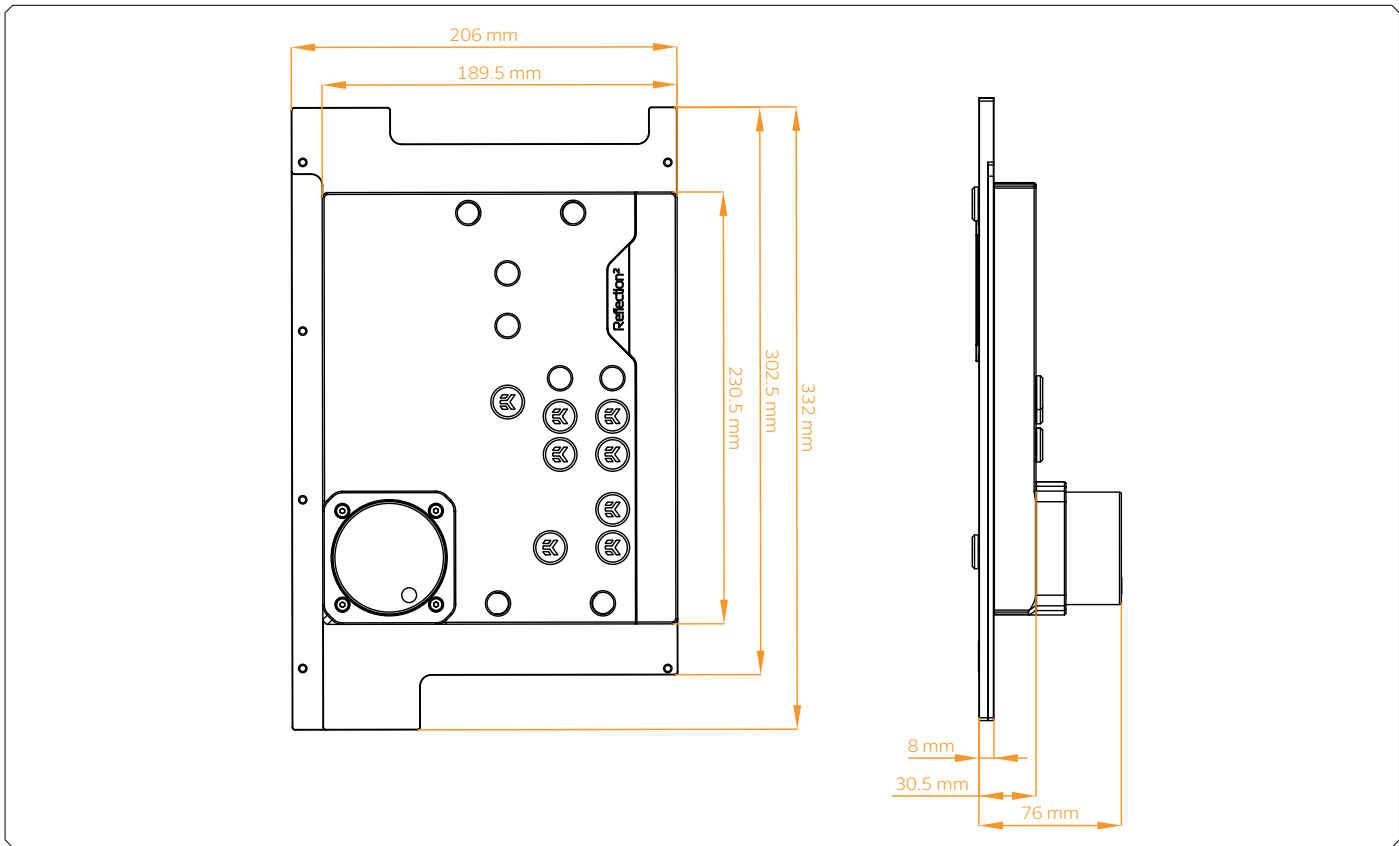


Allen Key 2.5 mm (1 pc)



EK-Loop Multi Allen Key

DISTRIBUTION PLATE DIMENSIONS



TECHNICAL SPECIFICATIONS AND PRODUCT PARTS

Technical Specification:

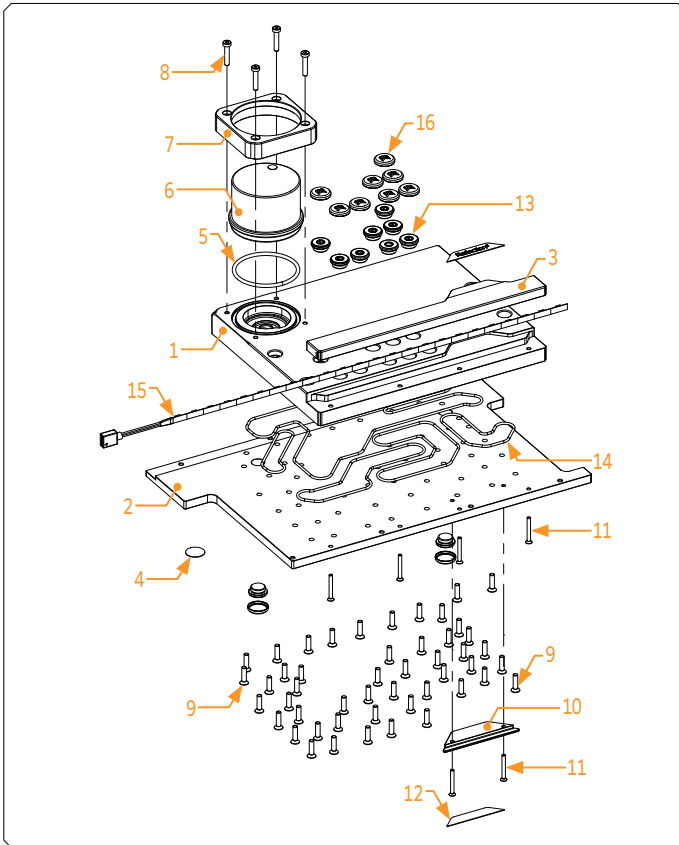
Dimensions with the attached pump (H x W x D): 332 x 206 x 76 mm

- D-RGB LED count: 12

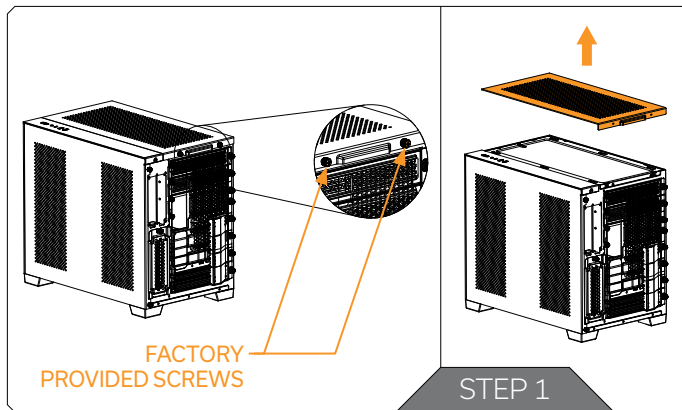
- D-RGB cable length: 500 mm

- D-RGB connector standard 3-pin (+5V, Data, Blocked, Ground)

Position	EAN	Description	Quantity
1	105063	Bottom plexi plate	1
2	105064	Top plexi plate	1
3	105067	LED Cover (Black e.)	1
4	100663	EK - Badge	1
5	5154	OR 52 x 3 mm	1
6	3831109837597	D5 Pump	1
7	101803	Pump cover (Acetal)	1
8	8311	Screw M4 x 20 DIN7984	4
9	8312	Screw M4 x 16 DIN7991	49
10	104642	Left Mount (Black E.)	1
11	9061	Screw M3 x 25 DIN7991	6
12	104599	Mylar - Reflection2	2
13	102639	EK - Plug G1/4	10
14	SET	OR SET	1
15	100815	LED D-RGB strip 500/400 mm	1
16	3831109834282	Plug Cover (Black)	10



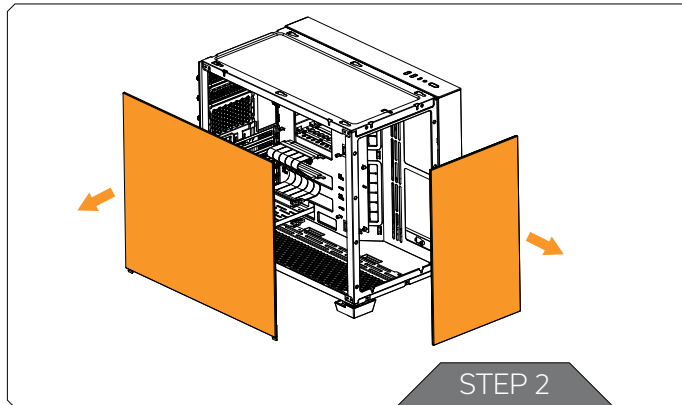
PREPARING THE O11D Mini CHASSIS



Before installing the distribution plate, carefully read the PC case manual.

STEP 1

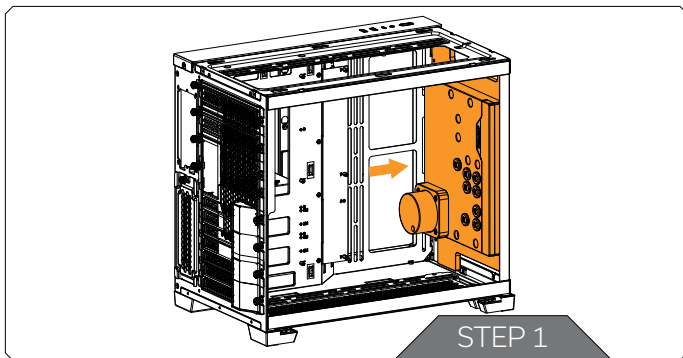
Unscrew the factory provided screws and remove the top panel from the case.



STEP 2

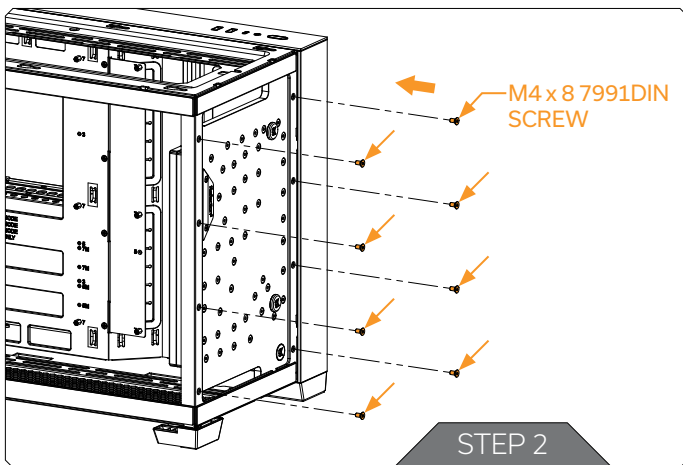
Remove side and the front panel from the case.

INSTALLING THE DISTRIBUTION PLATE



STEP 1

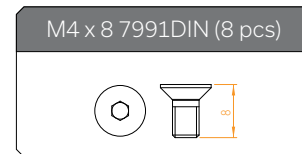
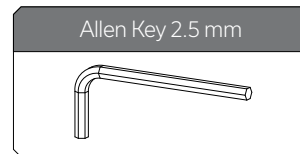
Carefully place the EK-Quantum Reflection² PC-O11D Mini D5 PWM D-RGB distribution plate into the PC case and align the mounting holes.



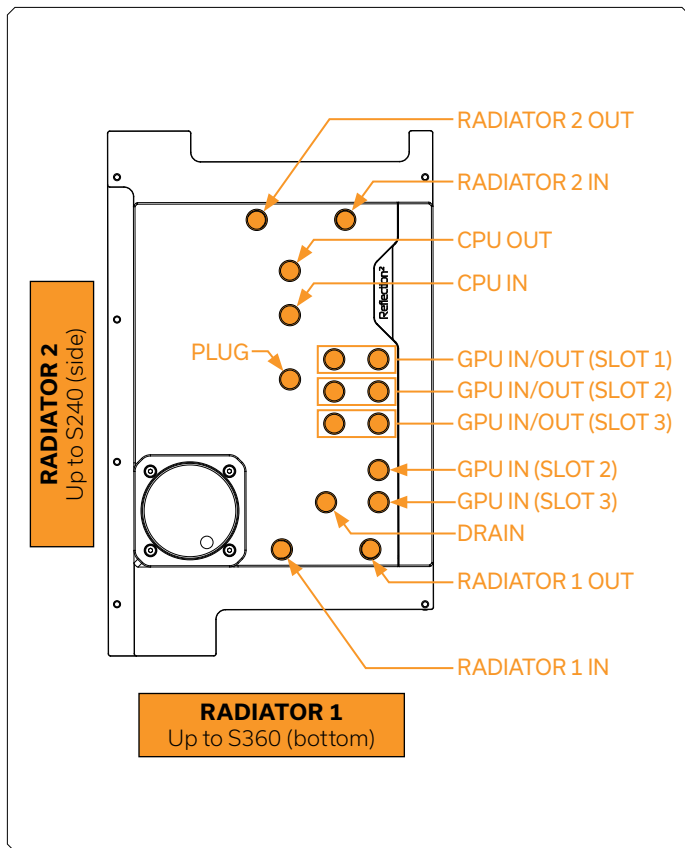
STEP 2

Secure the distribution plate to the chassis with eight (8) M4 x 8 DIN7991 screws (as shown in the diagram).

For this step you will need:



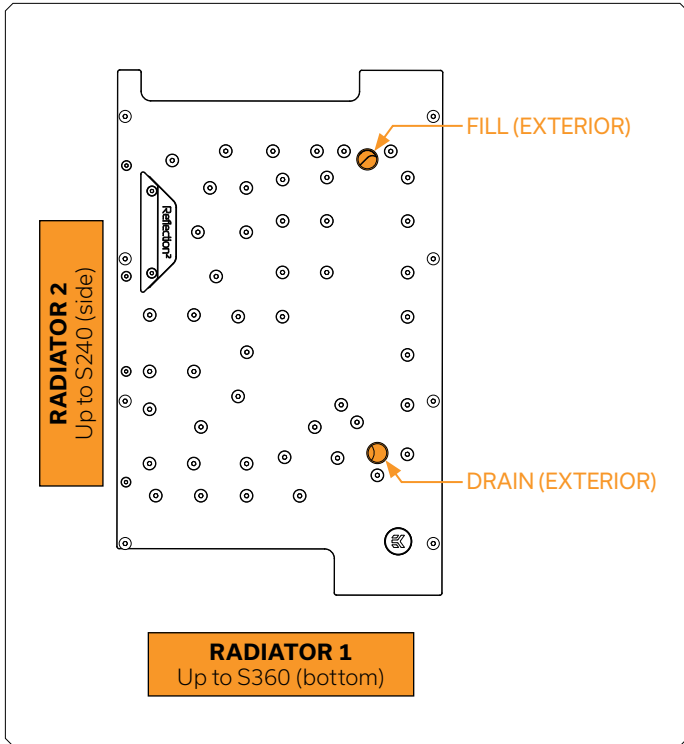
RECOMMENDED DISTRIBUTION PLATE CONFIGURATIONS



It is mandatory to use at least one of each type of port and all remaining ports should be sealed using the supplied plugs. The EK-Loop Multi Allen Key may be used to install all EK fittings, do not use excessive force.

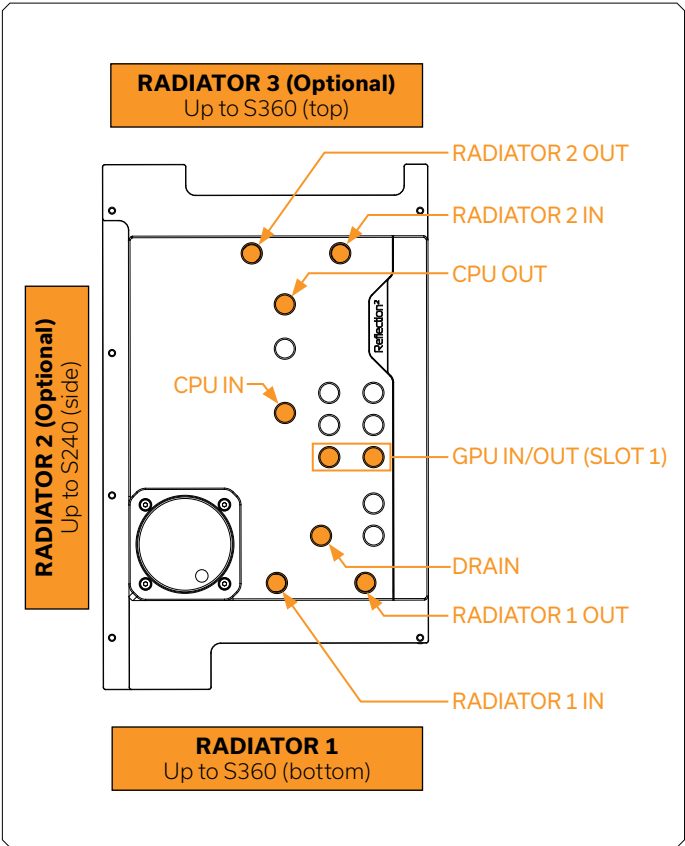
If one of the prescribed components will not be installed (ie. bottom radiator or GPU block) then one IN and one OUT port must still be joined together in order for this distribution plate to function!

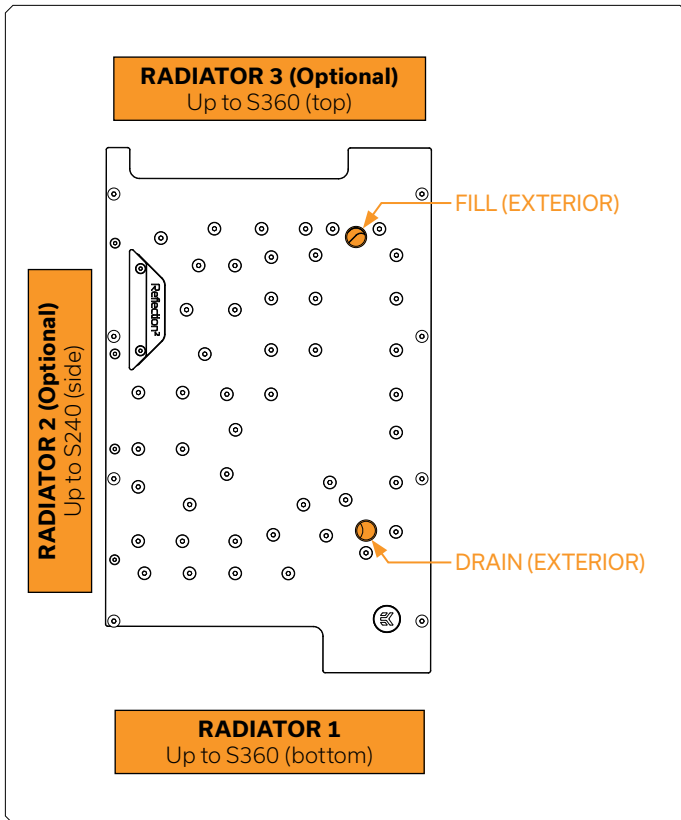
7-SLOT CONFIGURATION ITX / mATX / ATX



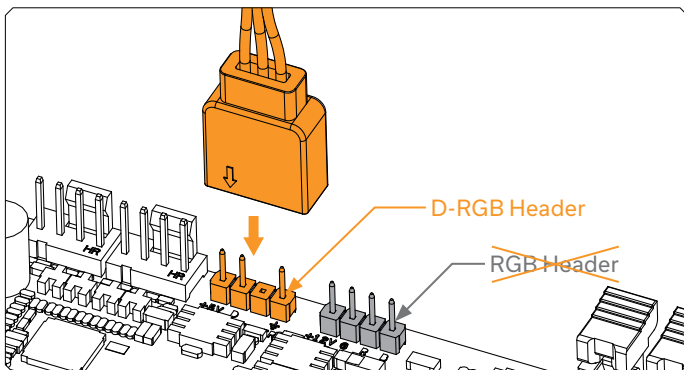
5-SLOT CONFIGURATION

ITX / mATX



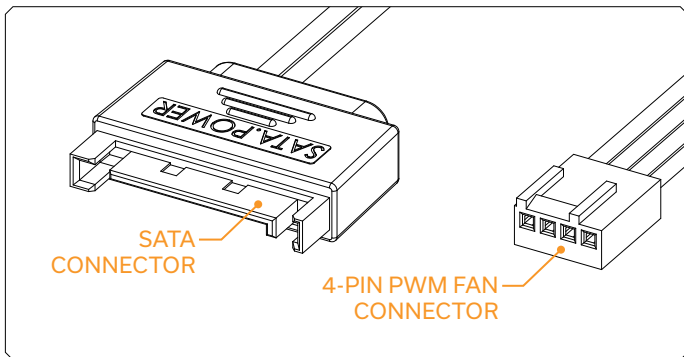


CONNECTING THE D-RGB LED STRIP



Plug the 3-pin connector of the distribution plate D-RGB LED light to the D-RGB HEADER on the motherboard. The LED will work if the pin layout on the header is as follows: **+5V, Digital, Empty, Ground.**

CONNECTING THE PUMP



The EK-D5 PWM pump has two connectors.

- 1. SATA Connector:** It must be connected directly to your PSU at all times as it is used to power the pump.
- 2. 4-pin PWM fan:** It can be connected to your motherboard's CPU_ Fan or designated water pump header. It can also be connected to a controller. This cable is used to control and report the rotational speed of the pump. If it's not connected, the pump will run at maximum speed (100% PWM).

TESTING THE LOOP

To make sure the installation of EK components was successful, we recommend you perform a leak test for 24 hours.

When your loop is complete and filled with coolant, connect the pump to a PSU outside of your system. Do not connect power to any of the other components. Turn on the PSU and let the pump run continuously. It is normal for the coolant level to drop during this process as air collects in the distribution plate.

Inspect all parts of the loop, and in the eventuality that coolant leaks, fix the issue and repeat the testing process. Ensure that all hardware is dry before the system is powered on in order to prevent any damage.

SUPPORT AND SERVICE


In case you need assistance or wish to order spare parts or a new mounting mechanism, please contact:

<https://www.ekwb.com/customer-support/>


For spare parts orders, refer to the page with "TECHNICAL SPECIFICATIONS AND PRODUCT PARTS" where you can find the EAN number of each part you might need.

Include the EAN number with quantity in your request.


SOCIAL MEDIA

 EKWaterBlocks

 @EKWaterBlocks

 ekwaterblocks

 EKWBofficial

 ekwaterblocks

