

EK-Quantum Kinetic TBE 120/160 VTX PWM

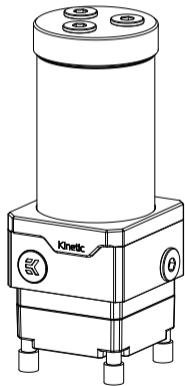
PUMP & RESERVOIR COMBO



INSTALLATION MANUAL

BOX CONTENT

EK-Quantum
Kinetic TBE 120/160 VTX
PWM D-RGB



MOUNTING MECHANISM

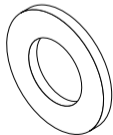
Allen Key 2 mm



Allen Key 2.5 mm

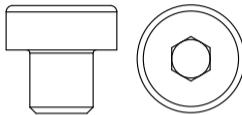


M4 PVC Washers (5 pcs)

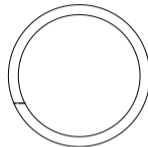


MOUNTING MECHANISM

M4x4 DIN7984 Screws
(5 pcs)



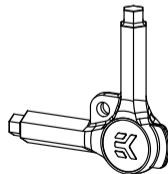
Gasket 10x1



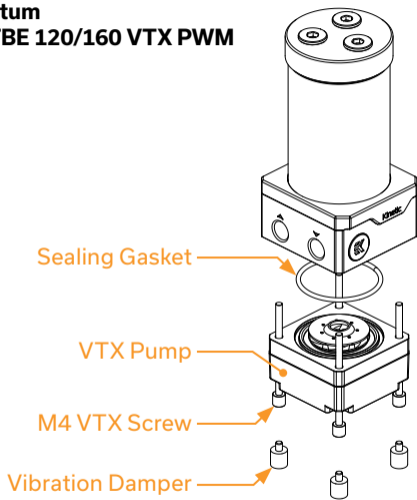
Inlet Tube



EK-Loop Multi Allen Key
(6 mm, 8 mm, 9 mm)



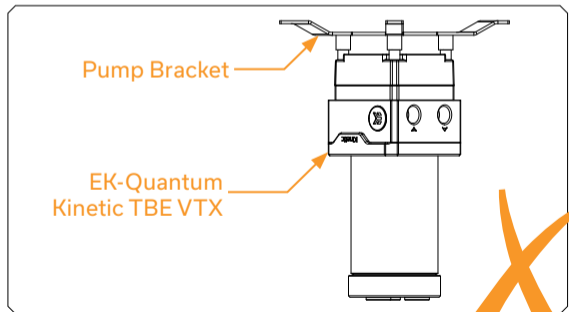
EK-Quantum Kinetic TBE 120/160 VTX PWM



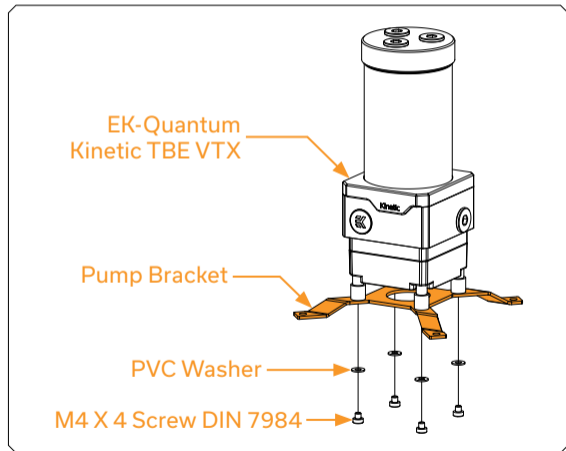
INSTALLING THE ASSEMBLY

EK-Quantum Kinetic TBE VTX can be used in any mounting configuration (position) apart from being mounted upside-down.

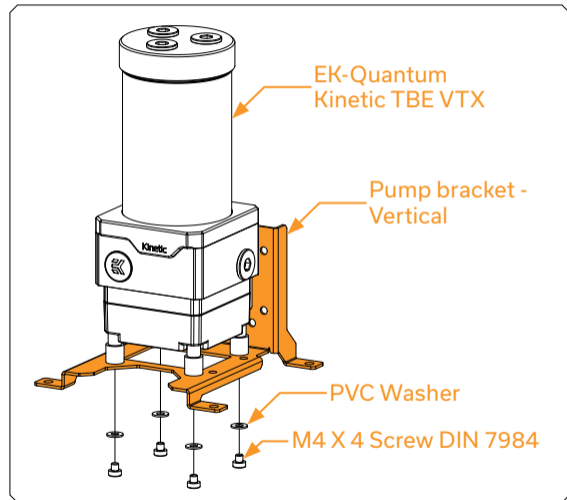
Mounting the pump upside-down may result in the pump running dry and eventually lead to its failure!



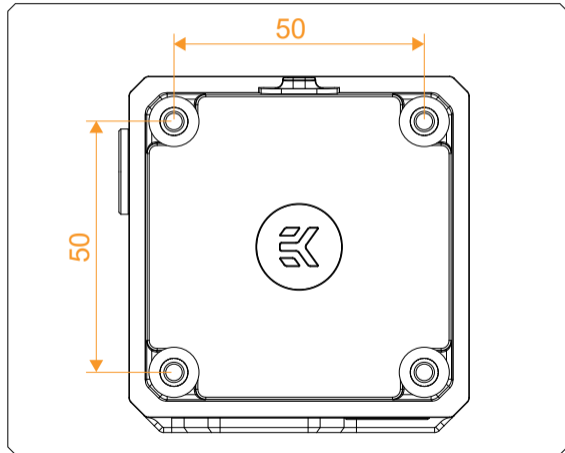
1. Installing the EK-Quantum Kinetic TBE 120/160 VTX combo unit using the EK-UNI Pump Bracket (sold separately):



Using the Vertical EK-UNI Pump Bracket (sold separately):



2. Installing the EK-Quantum Kinetic TBE 120/160 VTX combo unit directly into the chassis:



The assembly can be mounted on any flat surface inside your computer chassis. You must drill 4 (four) 4.2mm holes using the power drill in a 50 x 50mm square pattern.

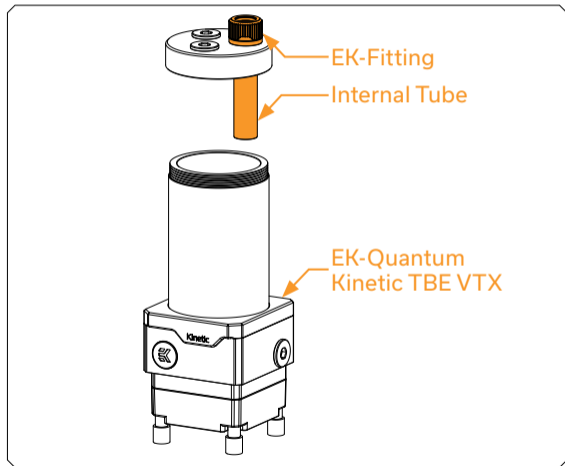
Please follow these steps:

- Drill four (4) 4.2 mm holes into the chassis
- Use enclosed M4 x 4 mm screws and PVC washers to secure the reservoir to the chassis

CAUTION:

Mounting holes pattern is not in a 1:1 scale.

USING TOP PORT AS INLET



Fittings must be placed on the Top port before installing the Internal tube! In other scenarios, you can damage the Top.

EK-Quantum Kinetic TBE 160 VTX combo unit:

The internal tube, which is enclosed in a mounting Kit, can be used for fluid intake into the reservoir. Make sure the sealing gasket on the internal tube is placed correctly.

EK-Quantum Kinetic TBE 120 VTX combo unit:

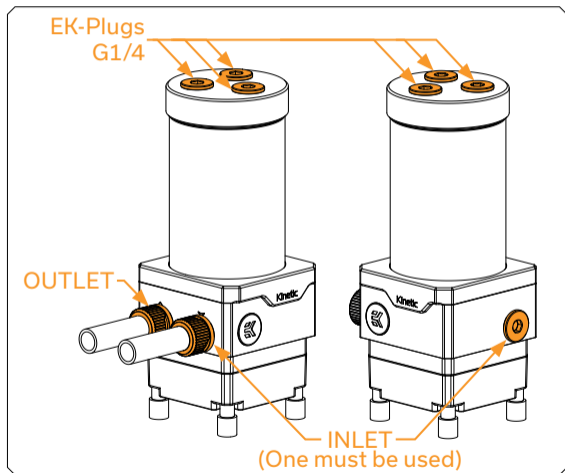
In the case of 120 Version, please follow these steps:

- Unscrew the reservoir and take off the pre-installed Anticyclone
- Remove the top part of the reservoir and attach the internal tube on one of the three (3) G1/4 holes (make sure that sealing gasket on the internal tube is placed correctly)
- Secure the top to the reservoir and make sure that all gaskets are set appropriately.

CAUTION (120 version):

Using the internal tube and pre-installed Anticyclone at the same time is strongly not recommended! This can damage the Anticyclone!

ATTACHING THE FITTINGS



EK recommends you use the EK-Quantum Torque fittings with EK-Quantum Kinetic TBE VTX series combo units. If you opt for barbs, make sure that tubes are securely attached using the hose clamps or an appropriate substitute.

All unused ports should be blocked with enclosed G1/4 plugs.

CAUTION:

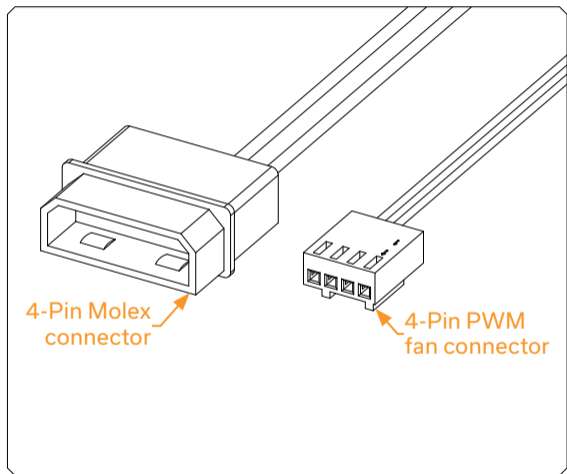
The OUTLET port must always be placed on the marked spot.

Ports on the top of the reservoir should only be used as INLET ports with the enclosed Internal tube.

The INLET (suction) ports are those with the G1/4 threading plane.

Make sure not to use fittings or barbs longer than 5mm with the G1/4 thread!

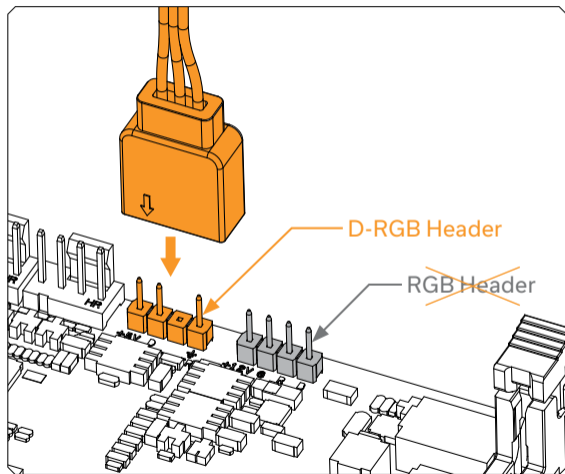
CONNECTING THE PUMP



The EK-VTX Pump has two connectors:

- 1. 4-Pin Molex** - must be connected directly to your PSU at all times as it is used to power the pump;
- 2. 4-Pin PWM Fan** - can be connected to your motherboard CPU Fan or designated water pump header. It can also be connected to a controller. This cable is used to control and report the rotational speed of the pump. If it's not connected, the pump will run at maximum speed (100% PWM).

CONNECTING THE D-RGB LIGHTS



Plug the 3-pin connector from the EK-Quantum Kinetic TBE VTX to the D-RGB header on the motherboard. The LED will work if the pin layout on the header is as follows: **+5V, Digital, Empty, Ground.**



Please ensure that the arrow on the connector is plugged into the **+5V** line, as indicated on your motherboard.

Failure to do so will damage your motherboard or the LED strip.

TESTING THE LOOP

To make sure the installation of EK components was successful, we recommend you perform a leak test for 24 hours.

When your loop is complete and filled with coolant, connect the pump to a PSU outside of your system. **Do not connect the power to any other components!**

Turn on the PSU and let the pump run continuously. It is normal for the coolant level to drop during this process as air collects in the reservoir.

Inspect all the parts of the loop, and in the case of coolant leaks, fix the issue and repeat the testing process. Ensure that all hardware is dry before the system is powered on in order to prevent any damage.

SUPPORT AND SERVICE

For assistance please contact:

<http://support.ekwb.com/>

EKWB d.o.o.
Pod lipami 18
1218 Komenda
Slovenia - EU

SOCIAL MEDIA



EKWaterBlocks



@EKWaterBlocks



ekwaterblocks



EKWBofficial



ekwaterblocks

