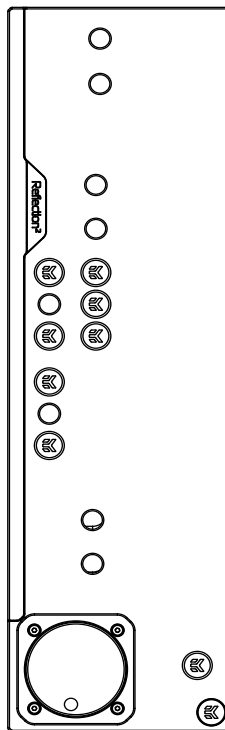


EK-Quantum Reflection² 7000D D5 PWM D-RGB

DISTRIBUTION PLATE



Please note the installation of the product is intended to be undertaken by an adequately trained and experienced person. You are installing the product at your own risk. If you are not properly trained or experienced or feel unsure about the installation procedure, please refrain from installing the product yourself and contact our tech support for assistance. We disclaim our liability for any damages to the product as well as incidental, consequential, or indirect damages incurred due to improper or inappropriate installation.

Before you start using this product please follow these basic guidelines:

Please carefully read the manual before beginning with the installation process!

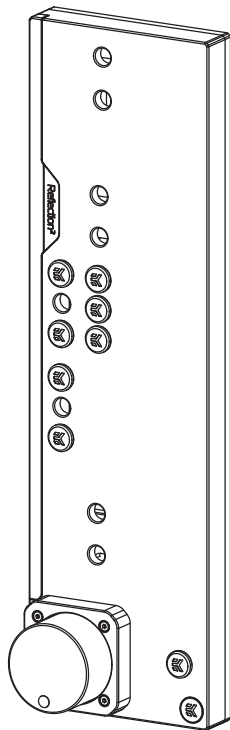
The EK Fittings require only a small amount of force to screw them firmly in place since the liquid seal is ensured by the rubber O-ring gaskets.

The use of quality market-proven corrosion-inhibiting coolants is always strongly recommended for any liquid cooling system. Do not use pure distilled water as a cooling liquid! For best results, EK recommends the use of EK-CryoFuel Coolants.

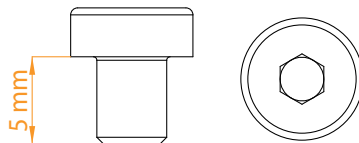
TABLE OF CONTENT

BOX CONTENTS	4
DISTRIBUTION PLATE DIMENSIONS	5
MAIN PARTS AND TECHNICAL SPECIFICATIONS	6
PREPARING THE CASE	7
PREPARING AND INSTALLING THE DISTRIBUTION PLATE	8
RECOMMENDED DISTRIBUTION PLATE CONFIGURATIONS	9
FLOW DIAGRAM	11
CONNECTING THE D-RGB LED STRIP	12
CONNECTING THE PUMP	12
TESTING THE LOOP	13
SUPPORT AND SERVICE	14
SOCIAL MEDIA	14

BOX CONTENTS



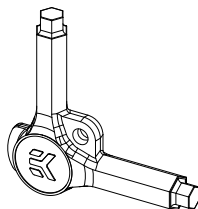
EK-Quantum Reflection² 7000D D5 PWM
D-RGB



Screw M4 x 5 DIN7984 Screw (4 pcs)



Allen Key 2.5 mm (1 pc)

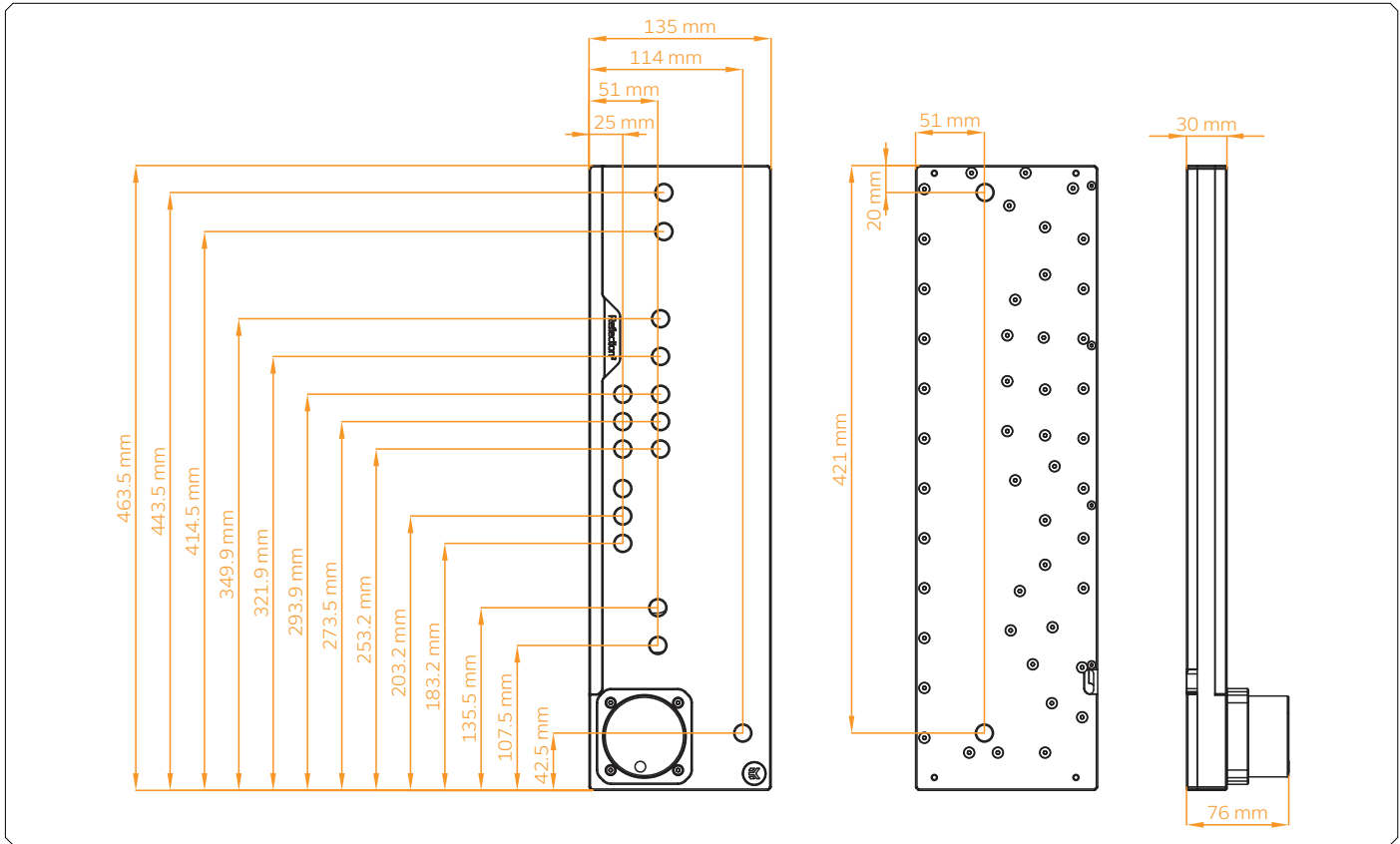


EK-Loop Multi Allen Key (1 pc)

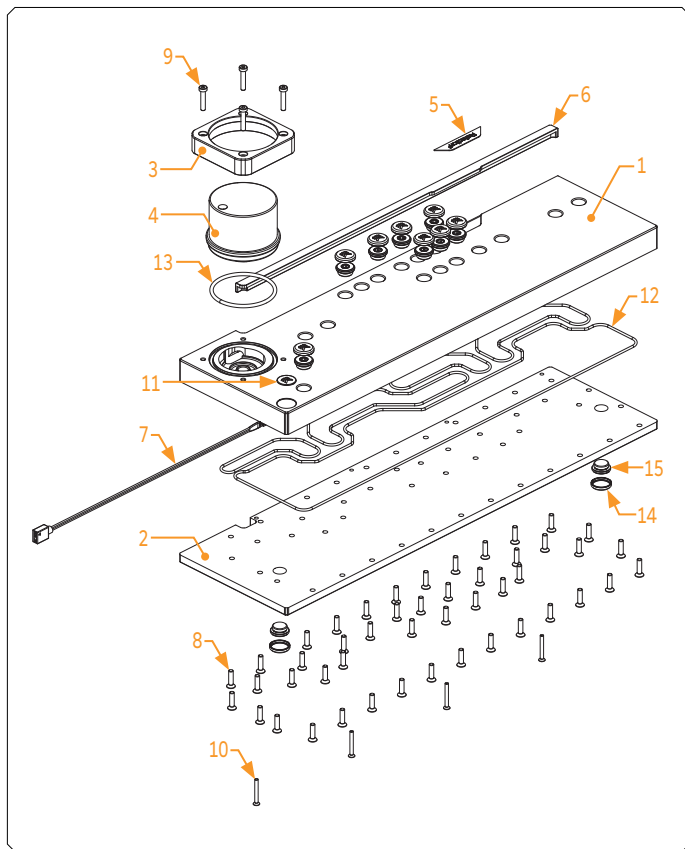


Allen Key 2 mm (1 pc)

DISTRIBUTION PLATE DIMENSIONS



MAIN PARTS AND TECHNICAL SPECIFICATIONS

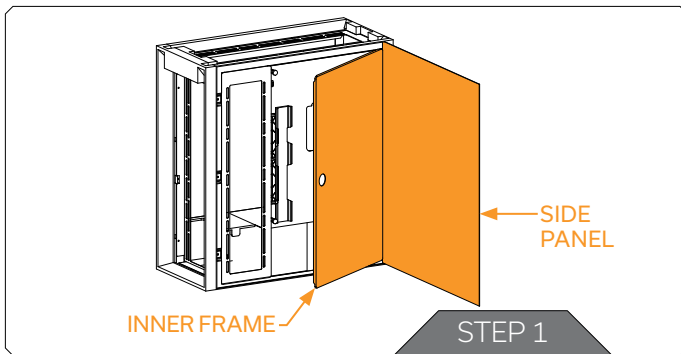


Technical Specification:

- Dimensions with the attached pump (W x D x H): 215.1 x 77.8 x 471.9 mm
- D-RGB LED count: 24
- D-RGB cable length: 500 mm
- D-RGB connector standard 3-pin (+5V, Data, Blocked, Ground)

Position	EAN	Description	Quantity
1	105707	Bottom plate (Plexi)	1
2	105708	Top plate (plexi)	1
3	101803	Pump bracket	1
4	3831109837597	EK-D5 PWM (12V SATA)	1
5	104599	Mylar sticker	1
6	105709	LED Cover	1
7	100815	LED strip 500/400mm	1
8	8312	Screw M4x16 DIN7991	47
9	9061	Screw M3x25 DIN7991	4
10	8311	Screw M4x20 DIN7984	4
11	100663	EK - Badge	1
12	105712	OR Set	1
13	5154	Pump OR 52x3 mm	1
14	3831109834282	Plug Cover (Black)	10
15	102639	EK - Plug G1/4 (Nickel)	10

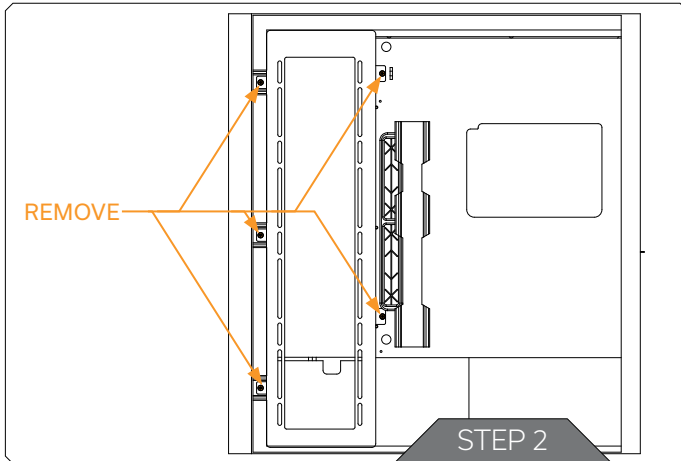
PREPARING THE CASE



Before installing the distribution plate, carefully read the PC case manual.

STEP 1

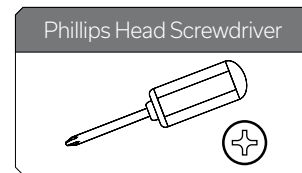
First, open the side panel and the inner frame of the PC Case. (shown in the photo).



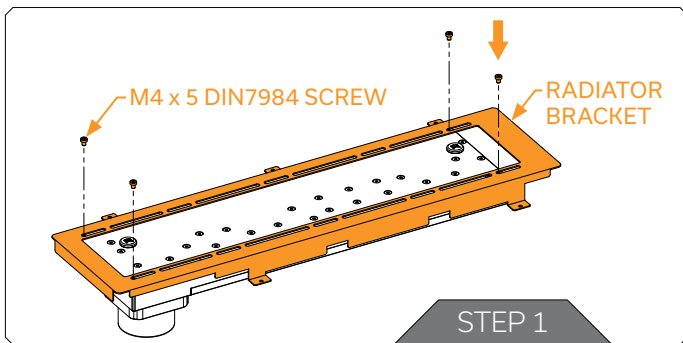
STEP 2

Using Phillips head screwdriver, unscrew the factory-provided UNC screws and remove the Radiator bracket from the PC case. Save the screws and radiator bracket for later use.

For this step you will need:



PREPARING AND INSTALLING THE DISTRIBUTION PLATE



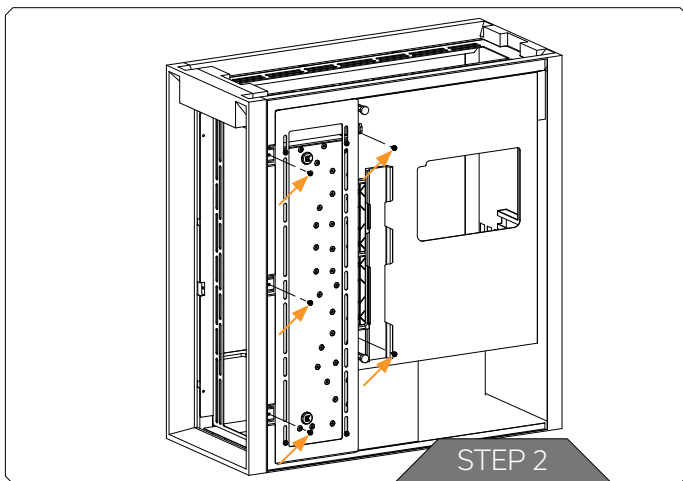
STEP 1

Carefully place the EK-Quantum Reflection² 7000D D5 PWM D-RGB onto the saved Radiator bracket.

Secure the distribution plate using Allen Key 2.5 mm and M4 x 5 DIN7984 Screws. Do not use excessive force.

For this step you will need:

Allen Key 2.5 mm (1 pc)

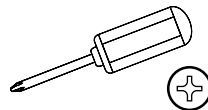


STEP 2

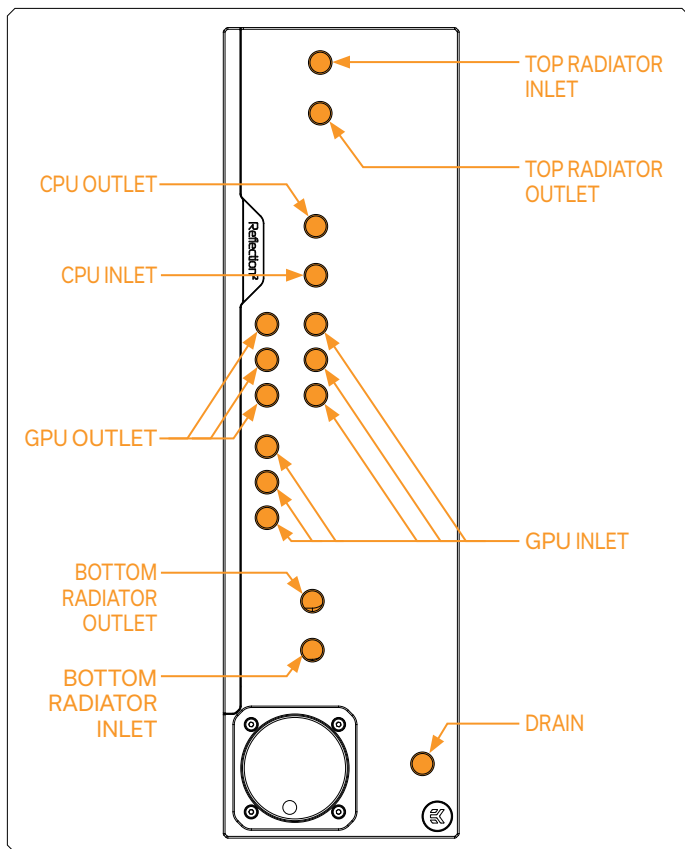
Secure the Radiator bracket with the pre-installed distribution plate into the PC Case using five (5) saved factory-provided UNC screws.

For this step you will need:

Phillips Head Screwdriver



RECOMMENDED DISTRIBUTION PLATE CONFIGURATIONS



To complete your loop, all ports must be used as marked in the image.

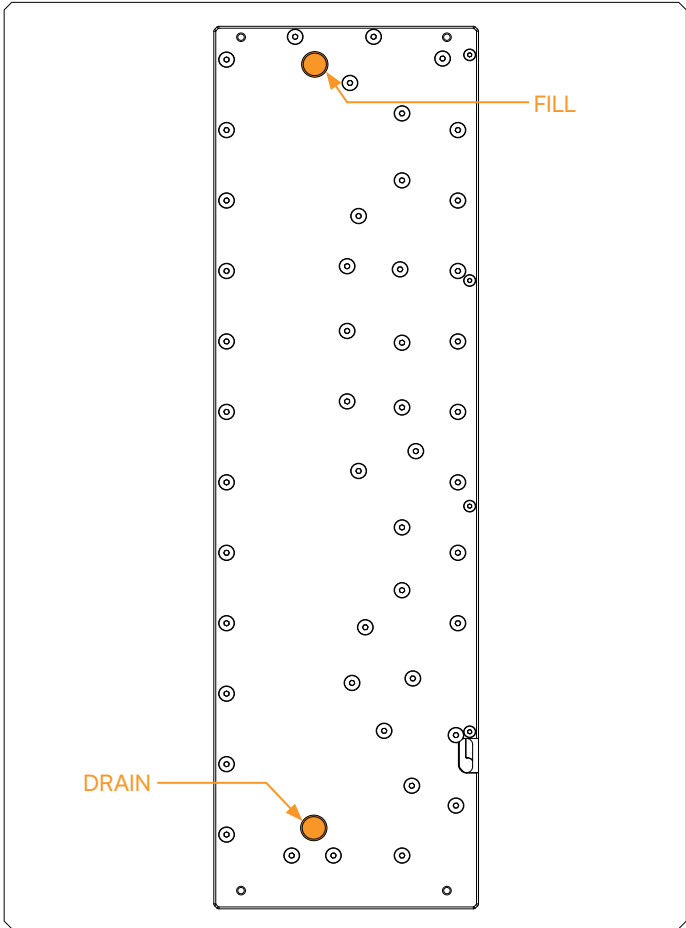
All remaining unused ports must be closed with supplied plugs, using the EK-Loop Multi Allen Key.



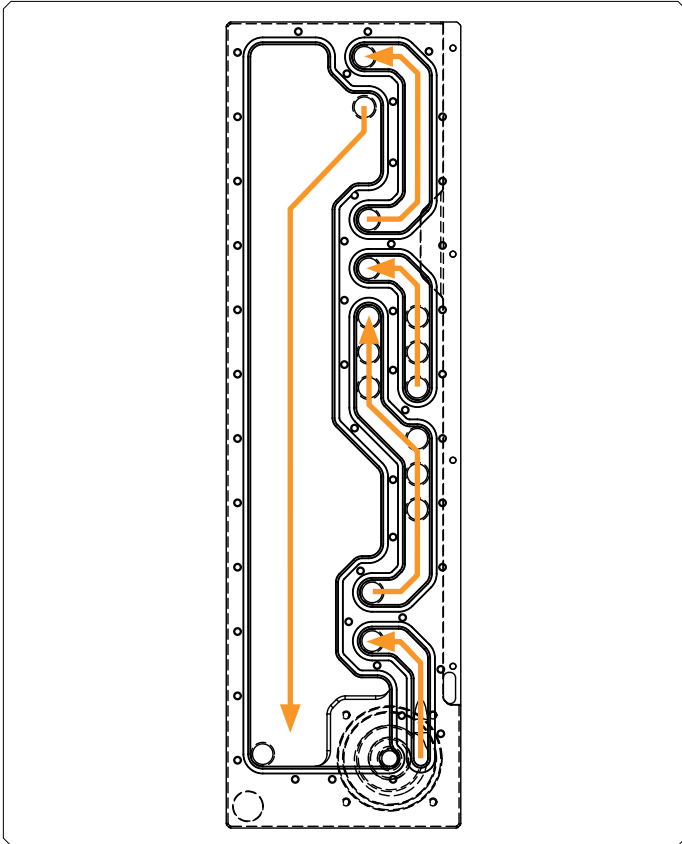
If one of the prescribed components will not be installed (ie. bottom radiator or GPU block) then one INLET and one OUTLET port must still be joined together in order for this distribution plate to function!



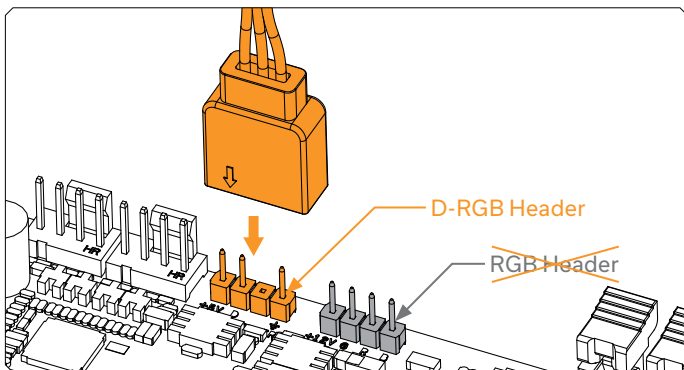
Only one INLET and one OUTLET port for the GPU connection can be used, while all other INLET and OUTLET GPU ports must be closed with G1/4 plugs.



FLOW DIAGRAM

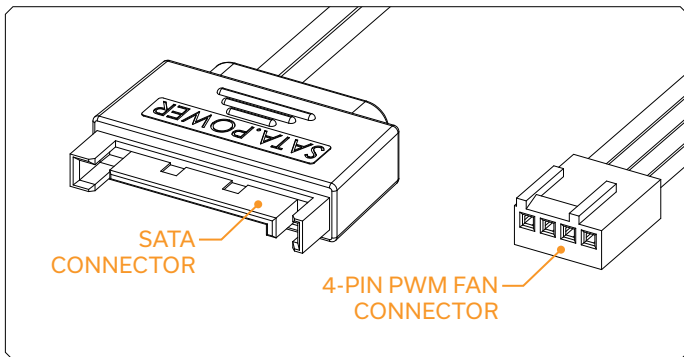


CONNECTING THE D-RGB LED STRIP



Plug the 3-pin connector of the distribution plate D-RGB LED light to the D-RGB HEADER on the motherboard. The LED will work if the pin layout on the header is as follows: **+5V, Digital, Empty, Ground.**

CONNECTING THE PUMP



The EK-D5 PWM pump has two connectors.

- 1. SATA Connector:** It must be connected directly to your PSU at all times as it is used to power the pump.
- 2. 4-pin PWM fan:** It can be connected to your motherboard's CPU_ Fan or designated water pump header. It can also be connected to a controller. This cable is used to control and report the rotational speed of the pump. If it's not connected, the pump will run at maximum speed (100% PWM).

TESTING THE LOOP

To make sure the installation of EK components was successful, we recommend you perform a leak test for 24 hours.

When your loop is complete and filled with coolant, connect the pump to a PSU outside of your system. Do not connect power to any of the other components. Turn on the PSU and let the pump run continuously. It is normal for the coolant level to drop during this process as air collects in the distribution plate.

Inspect all parts of the loop, and in the eventuality that coolant leaks, fix the issue and repeat the testing process. Ensure that all hardware is dry before the system is powered on in order to prevent any damage.

SUPPORT AND SERVICE

In case you need assistance or wish to order spare parts or a new mounting mechanism, please contact:

<https://www.ekwb.com/customer-support/>

For spare parts orders, refer to the page with "TECHNICAL SPECIFICATIONS AND PRODUCT PARTS" where you can find the EAN number of each part you might need.


Include the EAN number with quantity in your request. Mounting Mechanism EAN can be found under "BOX CONTENTS"

Thermal pads are readily available in the EK shop


SOCIAL MEDIA

 EKWaterBlocks

 @EKWaterBlocks

 ekwaterblocks

 EKWBofficial

 ekwaterblocks

