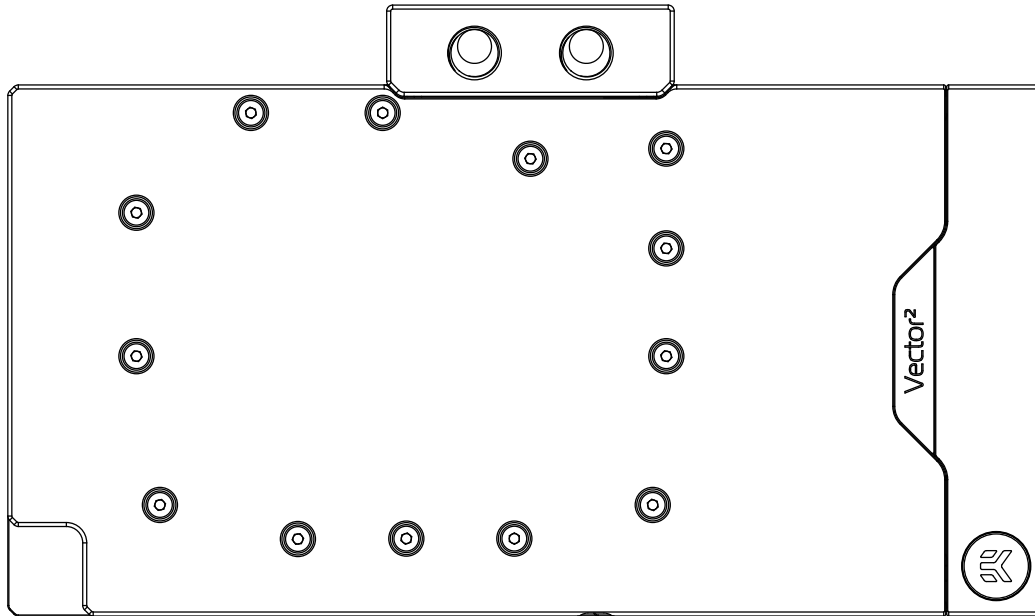


EK-Quantum Vector² Strix/TUF RTX 4090 D-RGB ABP Set

GPU WATER BLOCK



Please note the installation of the product is intended to be undertaken by an adequately trained and experienced person. You are installing the product at your own risk. If you are not properly trained or experienced or feel unsure about the installation procedure, please refrain from installing the product yourself and contact our tech support for assistance. We disclaim our liability for any damages to the product as well as incidental, consequential, or indirect damages incurred due to improper or inappropriate installation.

Before you start using this product, please follow these basic guidelines:

Carefully read the manual before beginning with the installation process.

Remove your graphics card from the computer for the safest mounting process to prevent any possible damage to your GPU or its circuit board (PCB).

The EK Fittings require only a small amount of force to screw them firmly in place since the liquid seal is ensured by the rubber O-ring gaskets.

The use of corrosion-inhibiting coolants is always recommended for liquid cooling systems and mandatory for nickel-plated water blocks!

Do not use pure distilled water!

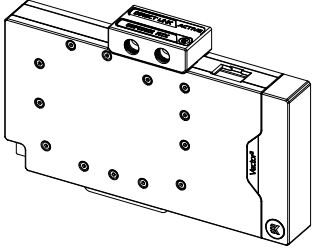
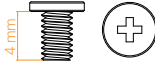
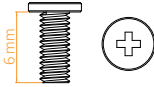
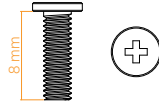
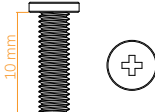

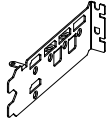

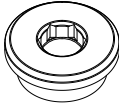
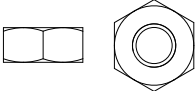

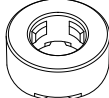

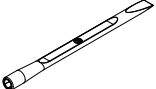
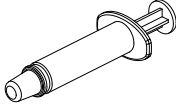


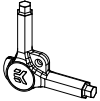
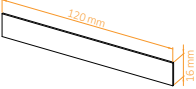
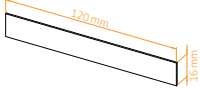
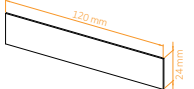
For best results, EK recommends the use of EK-CryoFuel coolants! To reach optimal performance, make sure to thoroughly bleed the air out of your water block!

TABLE OF CONTENTS

BOX CONTENTS	4
WATER BLOCK DIMENSIONS	5
TECHNICAL SPECIFICATIONS AND WATER BLOCK PARTS	6
NICKEL PLEXI	6
NICKEL ACETAL	7
PREPARING THE GRAPHICS CARD	8
REMOVING THE STOCK COOLER	8
ASUS TUF GAMING GEFORCE RTX 4090	8
PREPARING THE WATER BLOCK FOR INSTALLATION	10
CUTTING AND PLACING THERMAL PADS	12
APPLYING THERMAL COMPOUND	13
ATTACHING THE WATER BLOCK	13
OPTION 1: USING ASUS GEFORCE RTX 4090 STRIX	14
OPTION 2: ASUS GEFORCE RTX 4090 TUF GAMING	15
ATTACHING THE ACTIVE BACKPLATE	17
FITTINGS AND TUBING	18
INSERTING THE GRAPHICS CARD INTO THE CHASSIS	19
CONNECTING THE D-RGB LED STRIP	19
TESTING THE LOOP	20
WARRANTY	20
SUPPORT AND SERVICE	21
SOCIAL MEDIA	21

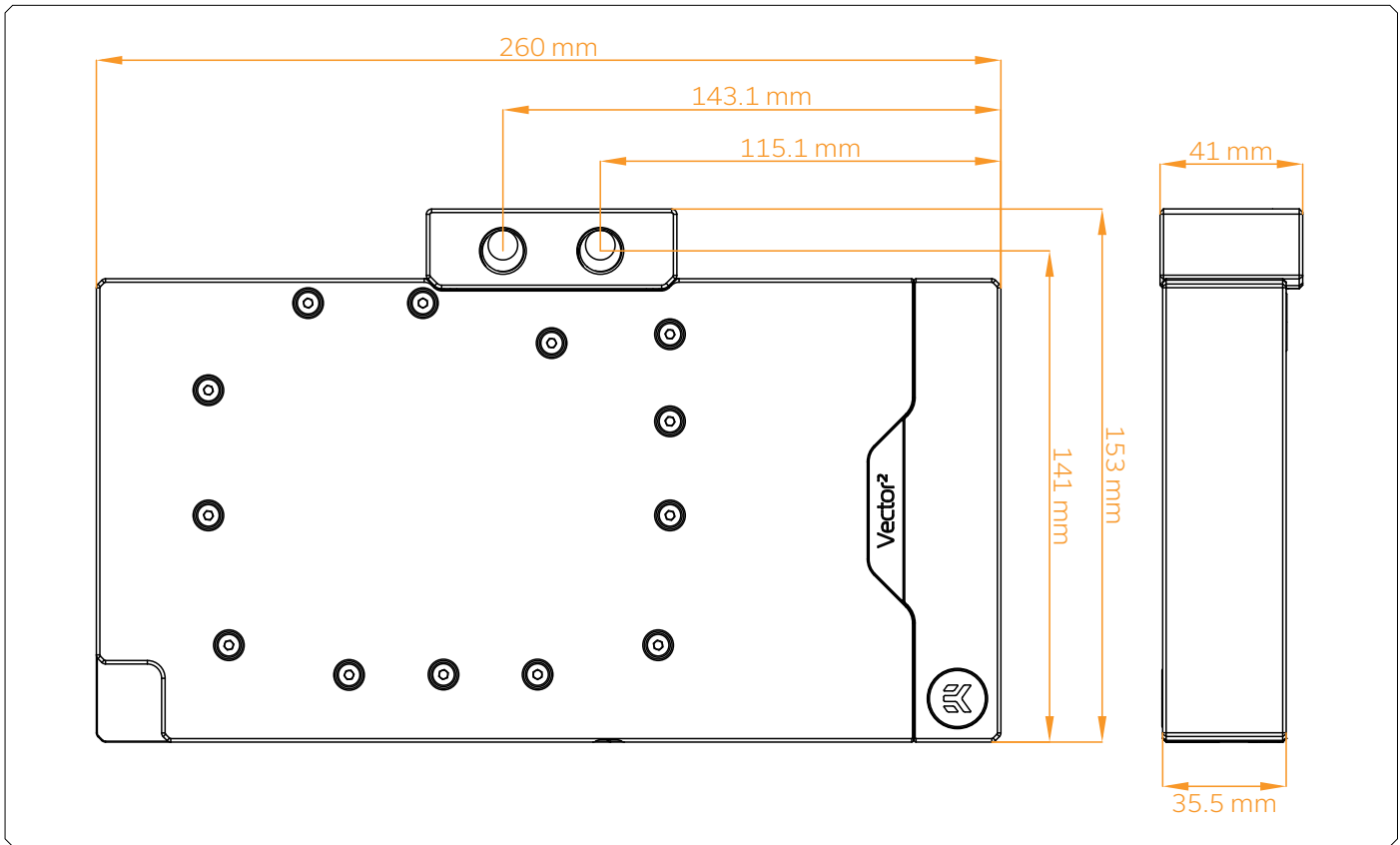
BOX CONTENTS

EAN: 105934

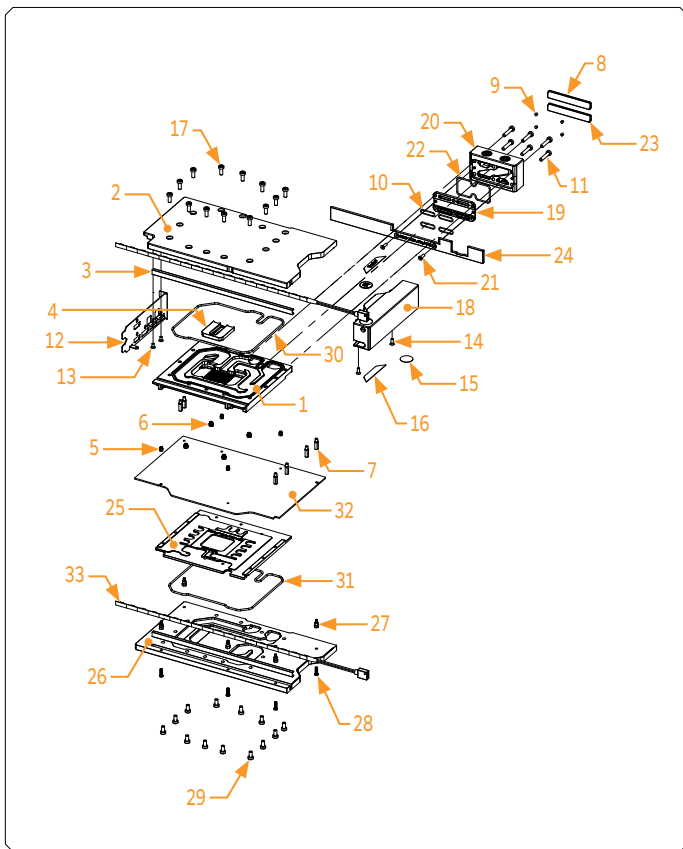
 <p>EK-Quantum Vector² Strix/TUF RTX 4090 D-RGB ABP Set</p>	 <p>M2.5x4 AX1 Screw (11 pcs)</p>	 <p>M2.5x6 AX1 Screw (1 pc)</p>	 <p>M2.5x8 AX1 Screw (1 pc)</p>	
	 <p>M3x10 AX1 Screw (1 pc)</p>	 <p>Polyamid Washer M2.5 0.5mm (11 pcs)</p>	 <p>Replacement I/O Bracket (1 pc)</p>	
 <p>Allen Key 2 mm (1 pc)</p>	 <p>Quantum Plug (2 pcs)</p>	 <p>Nut M2.5 (2 pcs)</p>	 <p>M3 x 6 DIN7991 Screw (2 pc)</p>	 <p>Standoff Ø4.5/2.5 (1 pc)</p>
 <p>Allen Key 2.5 mm (1 pc)</p>	 <p>EK-Plug Out Spludger Tool (1 pc)</p>	 <p>Thermal Grease (1 pc)</p>	 <p>Terminal OR - Vector² 14x1 mm (2 pcs)</p>	 <p>Standoff M2.5-M3 x 6.6mm (1 pc)</p>
 <p>EK-Loop Multi Allen Key (1 pc)</p>	 <p>Thermal Pad F 1.0 mm (6 pcs) (3830046996732)</p>	 <p>Thermal Pad F 1.5 mm (4 pcs) (3830046996749)</p>	 <p>Thermal Pad G 2.0 mm (3 pcs) (3830046996794)</p>	

EAN: 106046

WATER BLOCK DIMENSIONS



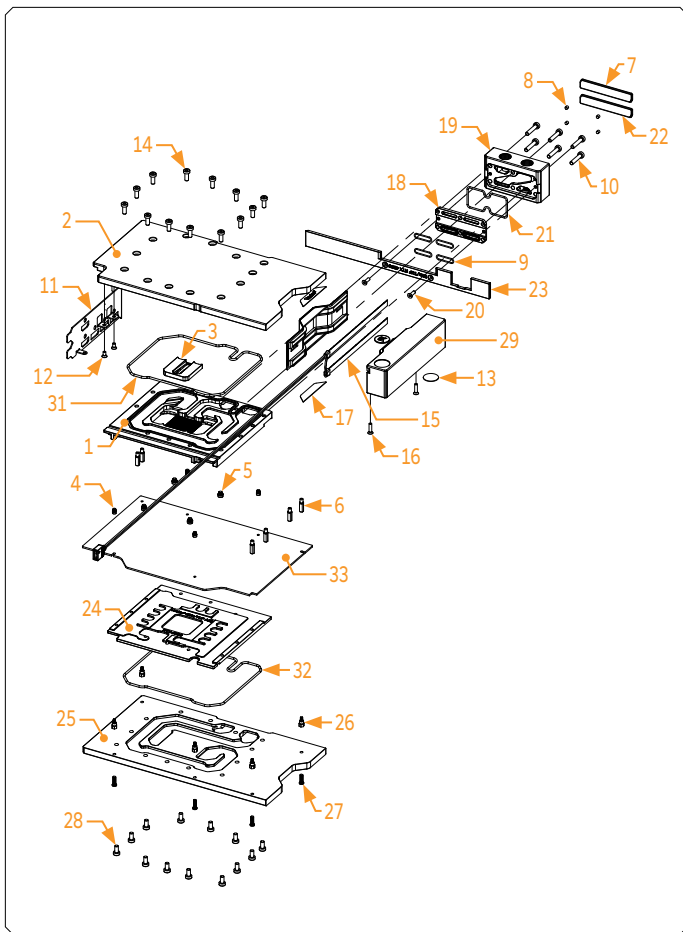
TECHNICAL SPECIFICATIONS AND WATER BLOCK PARTS



NICKEL PLEXI

- Dimensions: (L x H x W): 260 x 153 x 41 mm
- D-RGB LED count: 24
- D-RGB cable length: 50 cm
- D-RGB connector 3-pin 5V digital LED header

Position	EAN	Description	Quantity
1	105919	Coldplate (Ni)	1
2	105920	Top plate (Plexi)	1
3	105926	LED Cover (Nat. Elox)	2
4	103962	Plexi insert	1
5	103987	Standoff M3.5-M2.5 x 3 mm	4
6	103988	Standoff M4-M2.5 x 3 mm	4
7	103986	Standoff M3.5-M2.5 x 11.3 mm	6
8	103942	Terminal Badge	1
9	104216	Disc magnet 3 x 3	4
10	104106	Terminal OR -14 x 1 mm	4
11	8311	Screw M4 x 20 DIN7984	6
12	105561	Replacement I/O Bracket (Black)	1
13	8472	Screw M3 x 6 DIN7991	2
14	8208	Screw M3 x 8 7991DIN	2
15	100663	EK - Badge	2
16	103964	Mylar sticker	2
17	9024	Screw M4 x 10 DIN7984	13
18	104099	Stand out (Acetal)	1
19	105991	FC Terminal bridge (Ni)	1
20	105989	FC Terminal (Acetal)	1
21	8201	Screw M3 x 10 DIN7991	2
22	104414	OR 52 x 2 mm	1
23	104086	ABP Terminal Badge	1
24	105931	Sideplate (Bl. Elox)	1
25	105981	Coldplate ABP (Ni)	1
26	105927	Top plate ABP (Plexi)	1
27	104093	Standoff M2.5-M3 x 6.6 mm	5
28	104105	Screw AX1 M3 x 10 mm	5
29	9013	Screw M4 x 8 DIN7984	13
30	105932	Main OR 150 x 2 mm	1
31	105933	Main OR ABP 147 x 2 mm	1
32	105935	PCB cardboard	1
33	100815	LED D-RGB strip 500/300 mm	2

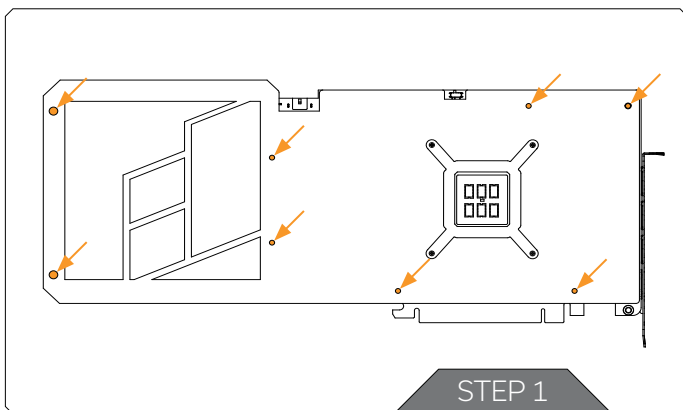


NICKEL ACETAL

- Dimensions: (L x H x W): 260 x 153 x 41 mm
- D-RGB LED count: 38
- D-RGB cable length: 50 cm
- D-RGB connector 3-pin 5V digital LED header

Position	EAN	Description	Quantity
1	105919	Coldplate (Ni)	1
2	105921	Top plate (Acetal)	1
3	103962	Plexi insert	1
4	103987	Standoff M3.5-M2.5 x 3	4
5	103988	Standoff M4-M2.5 x 3 mm	4
6	103986	Standoff M3.5-M2.5 x 11.3 mm	6
7	103942	Terminal Badge	1
8	104216	Disc magnet 3 x 3	4
9	104106	Terminal OR 14 x 1 mm	4
10	8311	Screw M4 x20 DIN7984	6
11	105561	Replacement I/O Bracket (Black)	1
12	8472	Screw M3 x 6 DIN7991	2
13	100663	EK - Badge	2
14	9024	Screw M4 x 10 DIN7984	13
15	104296	LED D-RGB Strip 500/130 mm	1
16	8202	Screw M3 x 12 DIN7991	2
17	104211	Mylar sticker	2
18	105991	FC Terminal bridge (Ni)	1
19	105989	FC Terminal (Acetal)	1
20	8201	Screw M3 x 10 DIN7991	2
21	104414	OR 52 x 2 mm	1
22	104086	Terminal Badge	1
23	105931	Sideplate (Bl. Elox)	1
24	105981	Coldplate ABP (Ni)	1
25	105928	Top plate ABP (Acetal)	1
26	104093	Standoff M2.5-M3 x 6.6 mm	5
27	104105	Screw AX1 M3 x 10	5
28	9013	Screw M4 x 8 DIN7984	13
29	104102	Stand Out (Acetal)	1
30	104096	Light Guide	1
31	105932	Main OR 150 x 2 mm	1
32	105933	Main OR ABP 147 x 2 mm	1
33	105935	PCB cardboard	1

PREPARING THE GRAPHICS CARD



REMOVING THE STOCK COOLER

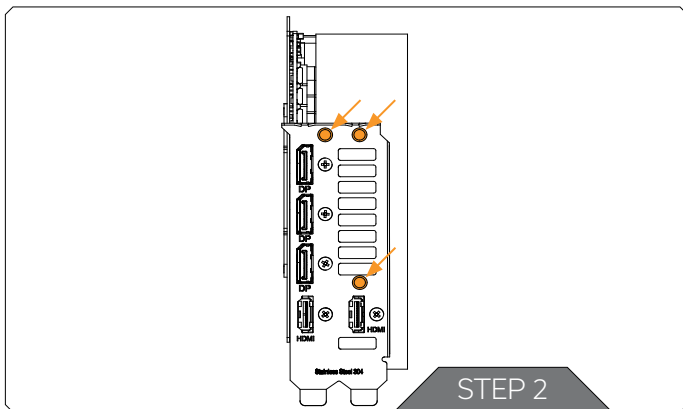
ASUS TUF GAMING GEFORCE RTX 4090



Important! Before starting, make sure to have a clean, flat surface to work on. It is recommended to put foam or soft material to lay the graphics card on.

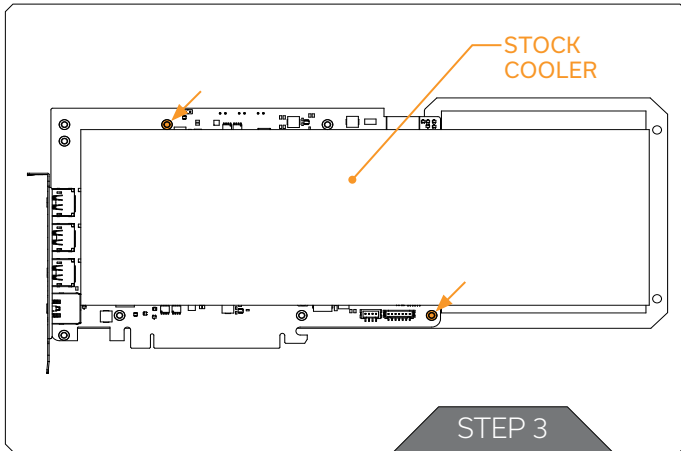
STEP 1

First, remove eight (8) screws from the backside of the Stock cooler (using Phillips head screwdriver).



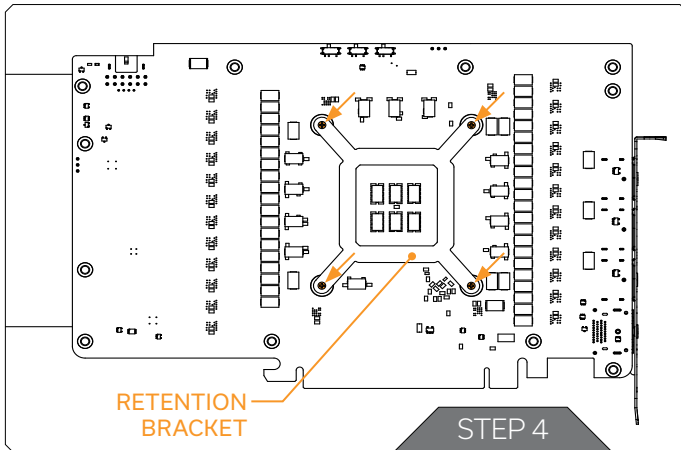
STEP 2

Unscrew three (3) screws from the I/O Bracket (using Phillips head screwdriver). Unplug the connectors in order to remove the stock cover from the GPU PCB.



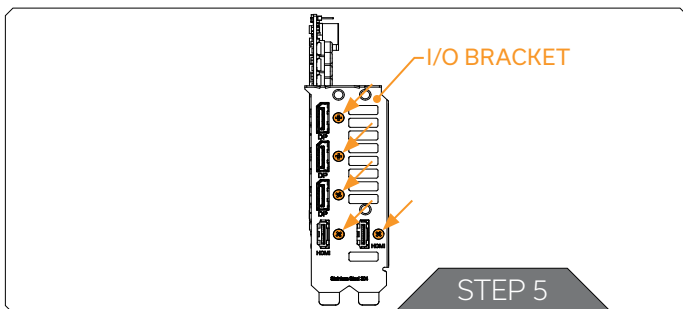
STEP 3

From the front side of the GPU, an additional two (2) screws must be removed (using Phillips head screwdriver). Detach the GPU Backplate.



STEP 4

Rotate the GPU and unscrew four (4) Screws from the retention bracket (using Phillips head screwdriver). Remove the bracket and Stock Cooler from the GPU PCB.

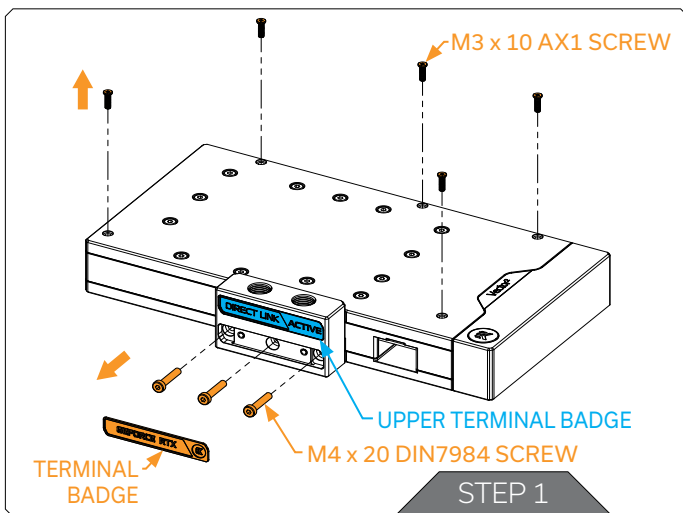


STEP 5

Lastly, unscrew four (4) Screws and detach the I/O Bracket (using Phillips head screwdriver).

EK provides the replacement I/O Bracket with the water block.

PREPARING THE WATER BLOCK FOR INSTALLATION



STEP 1

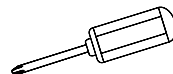
First, remove the terminal badge which is attached to the terminal with two magnets. Under the badge, unscrew three (3) screws M4 x 20 DIN7984. Additional five (5) screws M3 x 10 AX1 need to be removed (as shown in the image). Save the removed parts for later use.



DO NOT REMOVE THE UPPER TERMINAL BADGE!

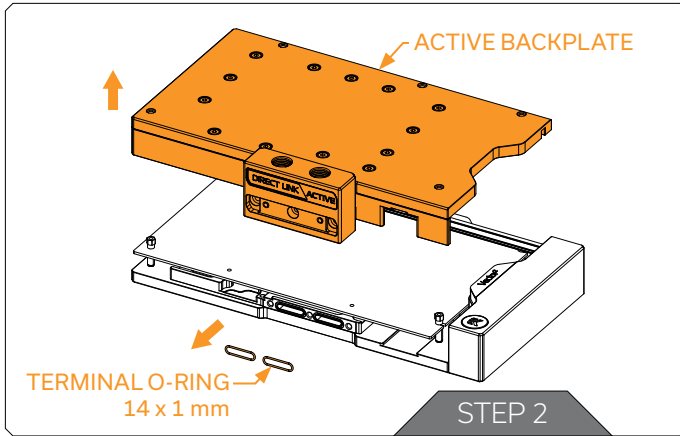
For this step, you will need:

Phillips Head Screwdriver



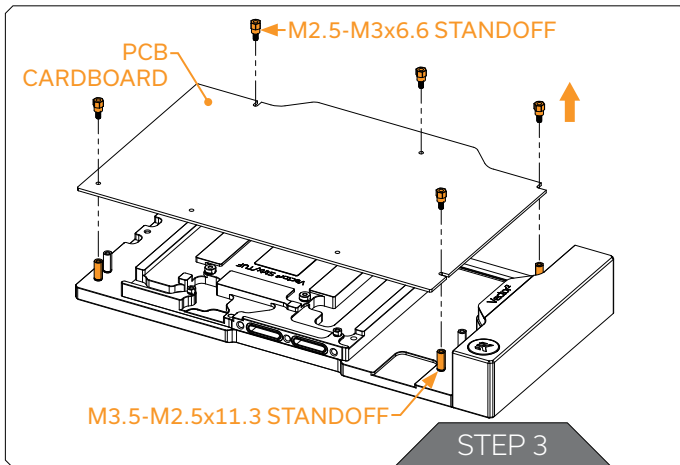
Allen Key 2.5mm





STEP 2

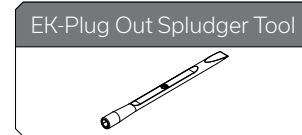
Carefully remove the complete active backplate with the terminal. Additional two (2) O-rings 14 x 1 mm needs to be removed.



STEP 3

Unscrew five (5) M2.5-M3 x 6.6 standoffs with the provided tool (EK-Plug out Spludger Tool). Make sure not to unscrew the M3.5-M2.5 x 11.3 standoffs! In case the M3.5-M2.5 x 11.3 standoffs unscrew, carefully tighten it back with the 4 mm wrench. After removing the standoffs, the PCB cardboard needs to be removed. Save the removed parts for later use.

For this step, you will need:



CUTTING AND PLACING THERMAL PADS

Thermal Pad F - 1.0 mm (120 x 16 mm)



Thermal Pad F - 1.5 mm (120 x 16 mm)



Thermal Pad G - 2.0 mm (120 x 24 mm)



STEP 1

STEP 1

The GPU water block comes with thermal pads that have to be cut into smaller pieces to cover all the VRM components, such as COILS, MOSFETs, and drivers.



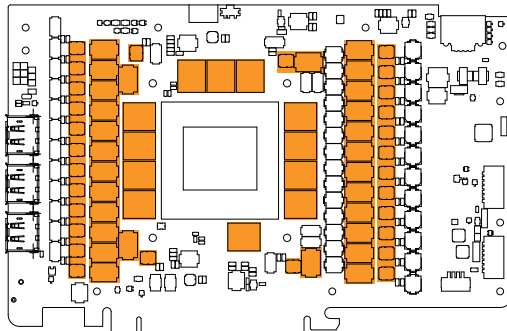
Remove the protective foil from both sides of the thermal pad before installation.

Replacement thermal pads:

Thermal Pad F 1.0 mm - (120 x 16 x 1 mm) EAN: 3830046996732

Thermal Pad F 1.5 mm - (120 x 16 x 1.5 mm) EAN: 3830046996749

Thermal Pad G 2.0 mm - (120 x 16 x 2 mm) EAN: 3830046996794



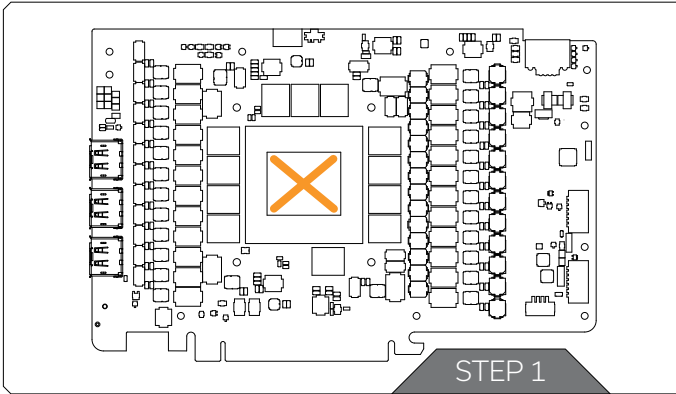
F1 Thermal Pad - 120 x 16 x 1.0 mm

STEP 2

STEP 2

Once cut to the size, Thermal Pads should be placed on the PCB, as shown in the picture:

APPLYING THERMAL COMPOUND



STEP 1

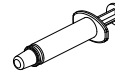
Apply the enclosed thermal grease (thermal compound) on the GPU heat spreader – IHS – as shown in the image. The layer of the thermal compound must be thin and even over the entire surface of the IHS.



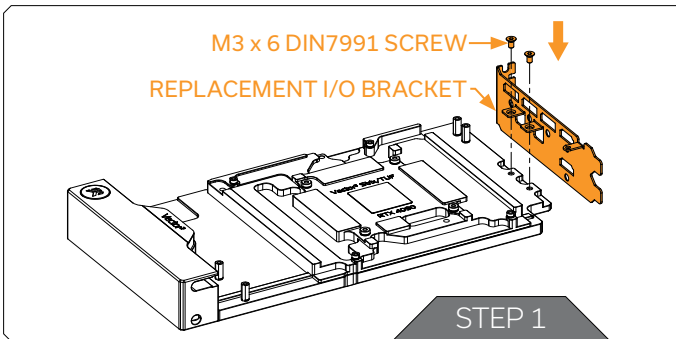
The excessive or uneven application of thermal grease may lead to poor performance!

For this step, you will need:

Thermal Grease



ATTACHING THE WATER BLOCK



STEP 1

Position the replacement I/O Bracket on the water block. During this process, make sure you have aligned the holes. Secure it with the two (2) M3 x 6 DIN7991 Screws and Allen Key 2 mm.

For this step, you will need:

Allen Key 2 mm

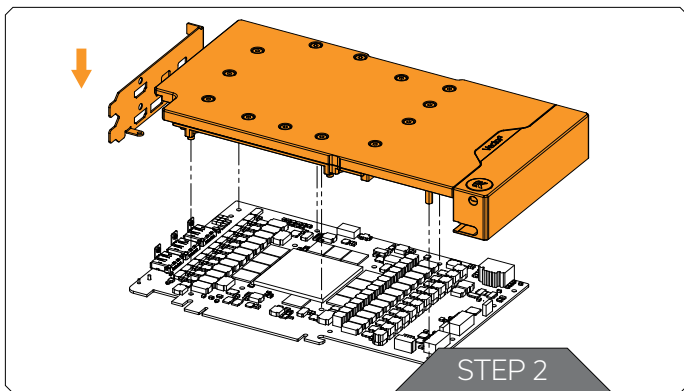


Replacement I/O Bracket



M3 x 6 DIN7991 Screw (2 pcs)





STEP 2

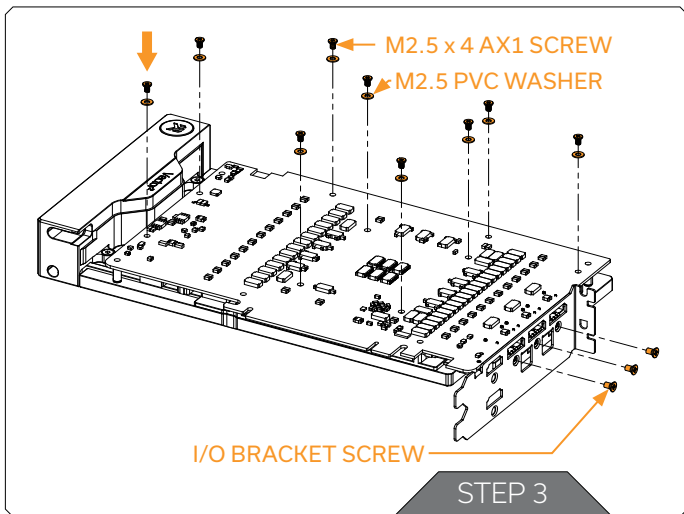
Carefully place the water block with preinstalled standoffs and replacement I/O Cover on the GPU PCB. During this process, make sure you have aligned the mounting holes of the PCB with the holes of the water block.



Pay attention not to use too much force when pressing the block down to the PCB since chip dies are prone to cracking.



Before placing the Water Block, make sure all the Thermal Pads are placed correctly!



STEP 3

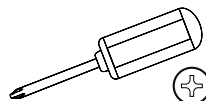
OPTION 1: USING ASUS GEFORCE RTX 4090 STRIX

Use nine (9) M2.5 x 4 AX1 screws and PVC washers to tighten the GPU PCB. Tighten the screws evenly using the Phillips-head screwdriver. EK recommends you start tightening the screws around the GPU core first and then continuing outward to prevent damaging the GPU. Always use a plastic washer under each screw.

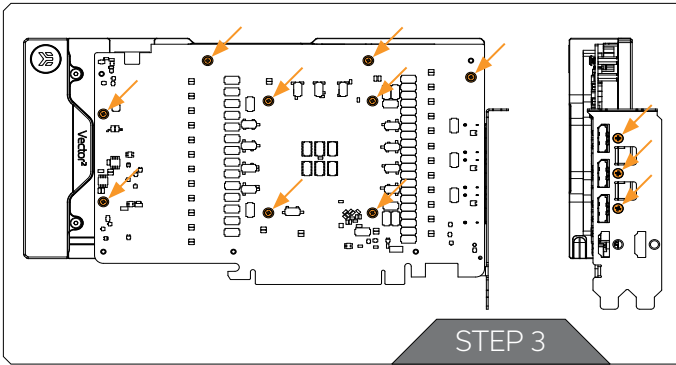
After attaching the water block, three (3) saved Factory provided I/O Bracket screws can be reused.

For this step, you will need:

Phillips Head Screwdriver



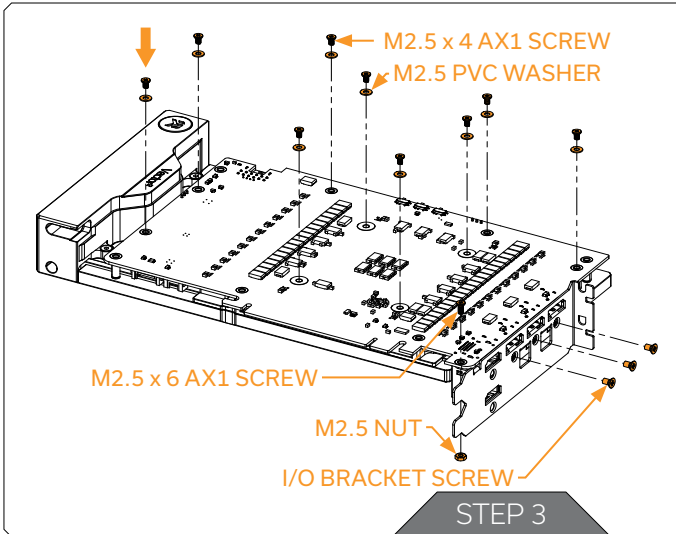
Screws must be present in the places marked on the picture.



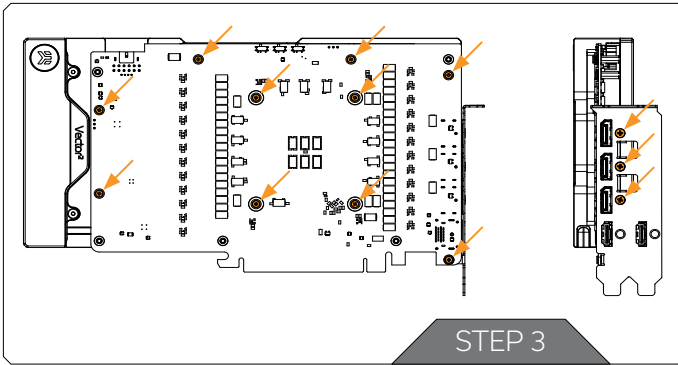
STEP 3 OPTION 2: ASUS GEFORCE RTX 4090 TUF GAMING

Use nine (9) M2.5 x 4 AX1 screws and PVC washers to tighten the GPU PCB. An additional one (1) M2.5 x 6 AX1 Screw must be secured with an M2.5 Nut. Tighten the screws evenly using the Phillips-head screwdriver. EK recommends you start tightening the screws around the GPU core first and then continuing outward to prevent damaging the GPU. Always use a plastic washer under each screw.

After attaching the water block, three (3) saved Factory provided I/O Bracket screws can be reused.



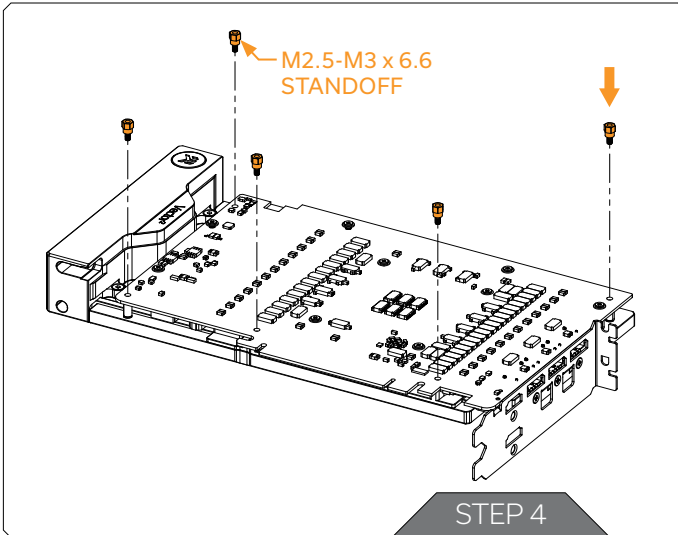
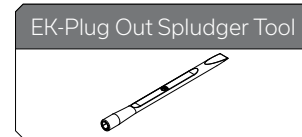
Screws must be present in the places marked on the picture.



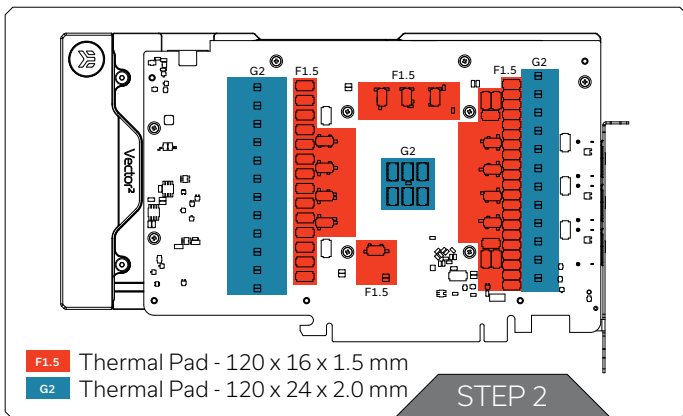
STEP 4

After securing the GPU PCB, position the five (5) M2.5-M3 x 6.6 standoffs. Tighten it with the provided tool (EK-Plug out Spludger Tool).

For this step, you will need:



ATTACHING THE ACTIVE BACKPLATE



STEP 1

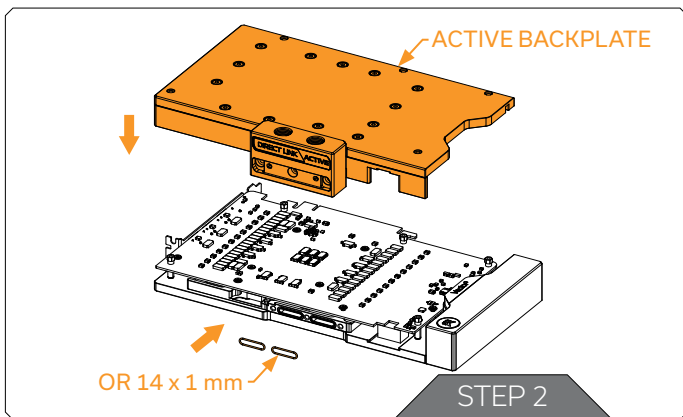
After attaching the water block, a few more thermal pads need to be placed on the backside of the GPU PCB. Once cut to size, thermal pads should be placed, as illustrated. EK made sure to provide you with more than an adequate quantity of thermal pads to complete this Step.

Replacement thermal pads:

Thermal Pad F 1.0 mm - (120 x 16 mm) EAN: 3830046996732

Thermal Pad F 1.5 mm - (120 x 16 mm) EAN: 3830046996749

Thermal Pad G 2.0 mm - (120 x 16 mm) EAN: 3830046996794

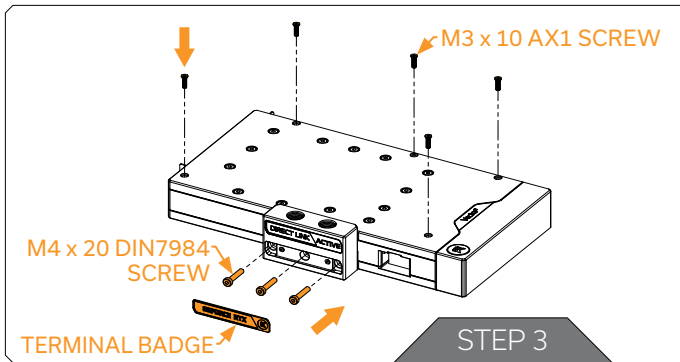


STEP 2

Insert two (2) O-rings (14 x 1 mm) into slots on the cold plate. Then carefully place the active backplate on standoffs (as shown in the image). While putting the active backplate on the PCB, make sure the O-rings stay in the slots.



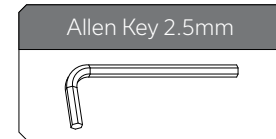
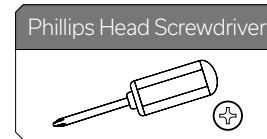
Before attaching the Active Backplate, make sure all the Thermal Pads are placed correctly!



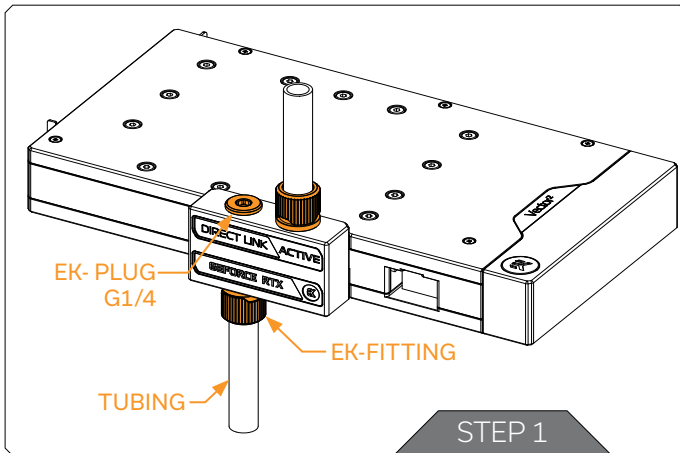
STEP 3

Place five (5) M3 x 10 AX1 screws into the water block standoffs and tighten them using a Phillips head screwdriver (as shown in the image). After attaching the AX1 Screws, three (3) terminal screws M4 x 20 DIN7984 need to be attached using Allen Key 2.5 mm. The terminal badge can be reused, after securing the terminal screws.

For this step, you will need:




FITTINGS AND TUBING




STEP 1

Screw in two (2) G1/4 threaded male fittings. Attach the liquid cooling tubes and connect the water block to the cooling loop.

 Do not forget to plug the remaining two openings with the enclosed EK-Plug G1/4 or its equivalent.

EK recommends using EK fittings with all EK water blocks.

 **CAUTION:** When using connectors other than EK fittings, pay special attention to the length of the fittings' male G1/4" thread - 5 mm is the maximum G1/4" thread length allowed!

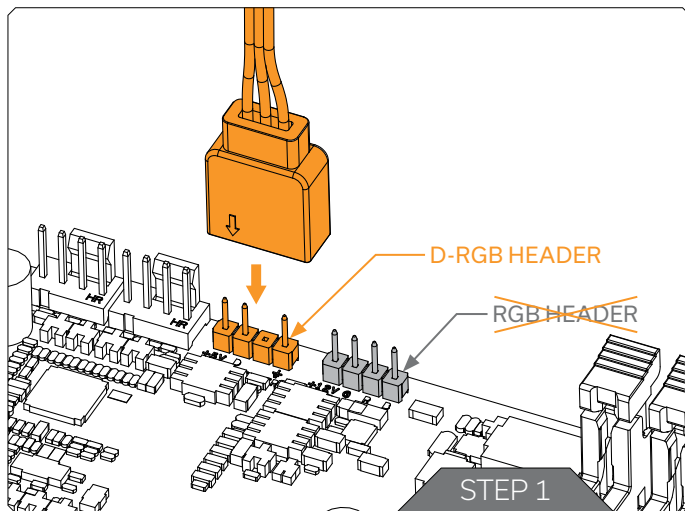
INSERTING THE GRAPHICS CARD INTO THE CHASSIS

Carefully lift your graphics card with the installed water block and insert it into your PC's motherboard PCI Express expansion slot. Please keep in mind that your graphics card is heavier than before it was equipped with the water block.



You need to be very careful when handling the graphics card. Avoid all unnecessary manipulation of the water block assembly that might damage your card or water block.

CONNECTING THE D-RGB LED STRIP



STEP 1

Plug the **3-pin connector** of the distribution plate D-RGB LED light to the **D-RGB HEADER** on the motherboard. The LED will work if the pin layout on the header is as follows: **+5V, Digital, Empty, Ground**.



Incorrect installation or installation to a wrong header can damage the LED strip or the header itself!

TESTING THE LOOP

To make sure the installation of EK components was successful, we recommend you perform a leak test for 24 hours. When your loop is complete and filled with coolant, connect the pump to a PSU outside of your system. Do not connect power to any of the other components. Turn on the PSU and let the pump run continuously. It is normal for the coolant level to drop during this process as air collects in the distribution plate. Inspect all parts of the loop, and in the eventuality, that the coolant leaks, fix the issue and repeat the testing process. Ensure that all hardware is dry before the system is powered on to prevent any damage.

WARRANTY

Our products are warranted against defects of materials and quality for a period of 24 months, starting with the date of delivery to the end user. During this period, products will be repaired or have parts replaced at our discretion, provided that 1) the product is returned to the agent from whom it was purchased; 2) the product has been purchased by the end-user and has not been used for commercial purposes; 3) the product has not been misused, handled carelessly, or used in a manner other than the way described in the instruction's manual. This warranty does not confer rights other than those expressly set out above and does not cover any claims for consequential loss or damage. This warranty is offered as an extra benefit and does not affect your statutory rights as a consumer. This warranty is voided if the product comes in contact with aggressive UV additives or other improper liquids. EK Water blocks are sealed with a warranty-voiding circular label, proving the water block has withstood a pressure leak test. Removing the label will void the leak-free guarantee, but not the guarantee on the product itself. Any other RMA issues can be reported to EK Customer Support at www.ekwb.com/support for further analysis.

SUPPORT AND SERVICE

In case you need assistance or wish to order spare parts or a new mounting mechanism, please contact:

<https://www.ekwb.com/customer-support/>

For spare parts orders, refer to the page with "TECHNICAL SPECIFICATIONS AND WATER BLOCK PARTS" where you can find the EAN number of each part you might need.


Include the EAN number with quantity in your request. Mounting Mechanism EAN can be found under "BOX CONTENTS"

Thermal pads are readily available in the EK shop


SOCIAL MEDIA

 EKWaterBlocks

 @EKWaterBlocks

 ekwaterblocks

 EKWBofficial

 ekwaterblocks

