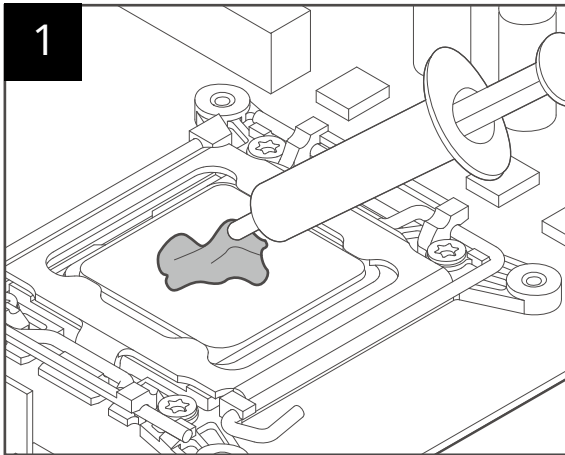


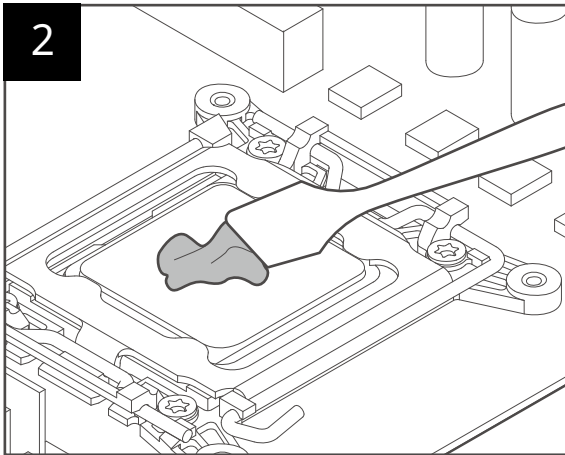


Make It Yours.

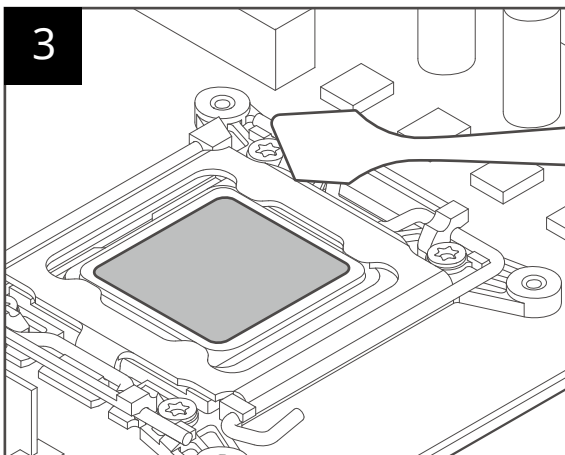
How To Apply Thermal Grease On The CPU?



Clean off any dust or existing thermal compound on the surface, then squeeze a small drop (pea size) of your new compound on the center of the CPU.



Use the included plastic brush to spread the compound equally over the surface for maximum coverage.



Ensure every part of the die area is covered with a thin layer of thermal compound.