

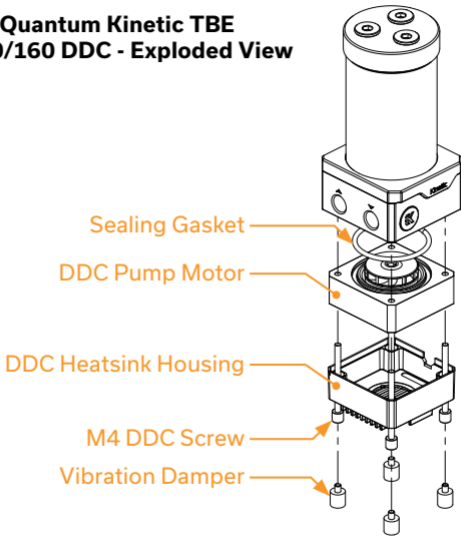
EK-Quantum Kinetic TBE DDC PWM

PUMP & RESERVOIR COMBO



INSTALLATION MANUAL

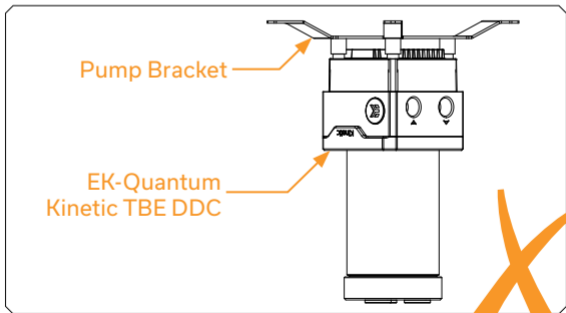
EK-Quantum Kinetic TBE 120/160 DDC - Exploded View



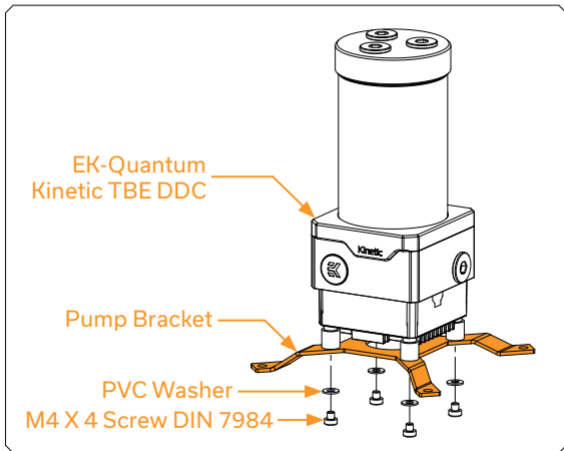
INSTALLING THE ASSEMBLY

EK-Quantum Kinetic TBE DDC can be used in any mounting configuration (position) apart from being mounted upside down!

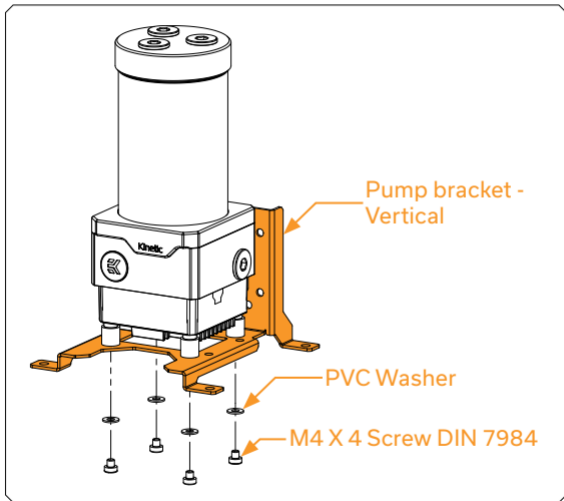
Mounting the pump upside down may result in pump running dry and eventually lead to premature failure of the pump!



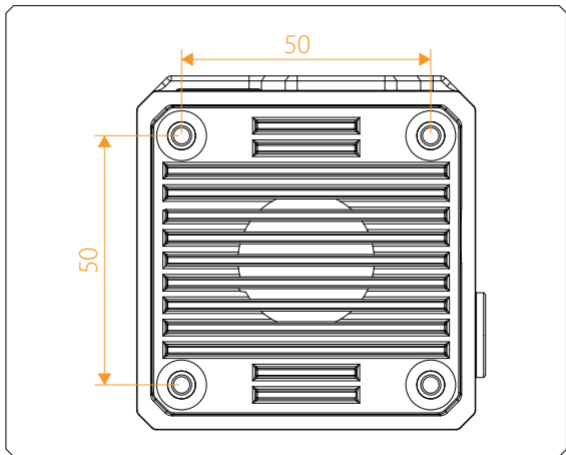
1. Installing EK-Quantum Kinetic TBE 120/160 DDC combo unit using the EK-UNI Pump Bracket (sold separately):



Using the Vertical EK-UNI Pump Bracket (sold separately):



2. Installing the EK-Quantum Kinetic TBE 120/160 DDC combo unit directly into the chassis:



The assembly can be mounted on any flat surface inside your computer chassis. You must drill four (4) 4.2 mm holes using the power drill in a 50 x 50 mm square pattern.

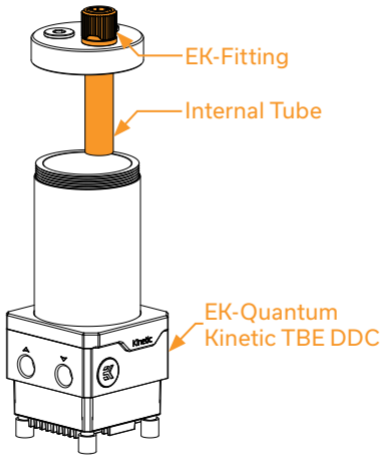
Please follow these steps:

- Screw on the Vibration Dampers on DDC Screws
- Drill four (4) 4.2 mm holes into the chassis
- Use enclosed M4 x 4 mm screws and PVC washers to secure the reservoir to the chassis

CAUTION

Mounting holes pattern (Not in 1:1 scale)

USING TOP PORT AS INLET



EK-Quantum Kinetic TBE 160 DDC combo unit:

The internal tube, which is enclosed in a mounting Kit, can be used for fluid intake into the reservoir. Make sure that the sealing gasket on the inner tube is placed correctly.

EK-Quantum Kinetic TBE 120 DDC combo unit:

In the case of 120 Version, please follow these steps:

- Unscrew the reservoir and take off the pre-installed Anticyclone
- Remove the top part of the reservoir and attach the internal tube on one of the three (3) G1/4 holes (make sure that sealing gasket on the internal tube is placed correctly)
- Secure the top to the reservoir and make sure that all gaskets are set appropriately.

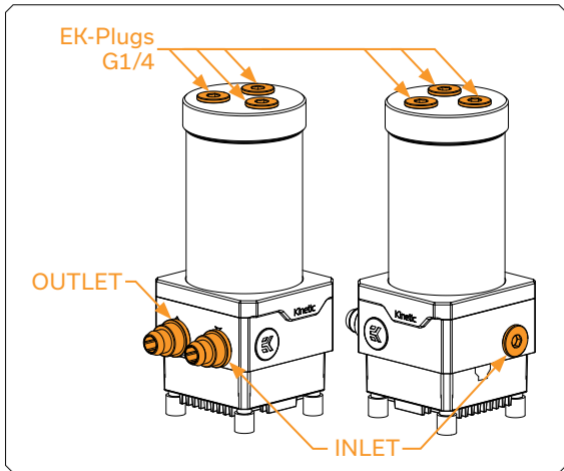
CAUTION

Using the Internal tube and pre-installed Anticyclone at the same time is strongly not recommended! This can damage the Anticyclone.

IMPORTANT

Fittings must be placed on the Top port before installing the Internal tube. In other case, you can damage the Top!

ATTACHING FITTINGS



EK recommends you use the EK-Quantum fittings with EK-Quantum Kinetic TBE DDC series combo units. If you use barbs, ensure that tubes are securely attached by using the hose clamps or an appropriate substitute.

All unused ports should be blocked with the enclosed G1/4 Plugs.

CAUTION

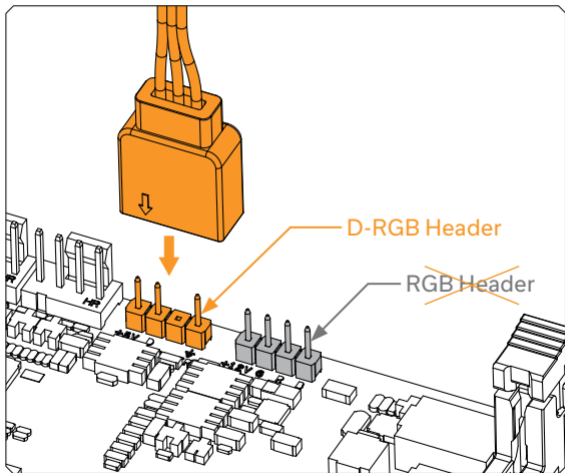
OUTLET port must always be placed on the marked spot.

Ports on the top of the reservoir should only be used as Inlet ports with the enclosed Internal tube.

The INLET (suction) ports are those with the G1/4 threading plane.

Make sure not to use fittings or barbs with G1/4 thread that is longer than 5mm!

CONNECTING THE D-RGB LIGHTS



Plug the 3-pin connector from the EK-Quantum Kinetic TBE DDC to the D-RGB header on the motherboard. The LEDs will work if the pin layout on the header is **+5V GRB**.



Please ensure that the arrow on the connector is plugged into the +5V line, as indicated on your motherboard.

Failure to do so will damage your motherboard or the LED strip.

TESTING THE LOOP

To make sure the installation of EK components was successful, we recommend you perform a leak test for 24 hours.

When your loop is complete and filled with coolant, connect the pump to a PSU outside of your system. **Do not connect the power to any of the other components.**

Turn on the PSU and let the pump run continuously. It is usual for the coolant level to drop during this process as air collects in the reservoir.

Inspect all the parts of the loop, and in the case of coolant leaks, fix the issue, and repeat the testing process. Ensure that all hardware is dry before the system is powered on in order to prevent any damage.

SUPPORT AND SERVICE

For assistance please contact:

<http://support.ekwb.com/>

EKWB d.o.o.
Pod lipami 18
1218 Komenda
Slovenia - EU

SOCIAL MEDIA



EKWaterBlocks



@EKWaterBlocks



ekwaterblocks



EKWBofficial



ekwaterblocks

