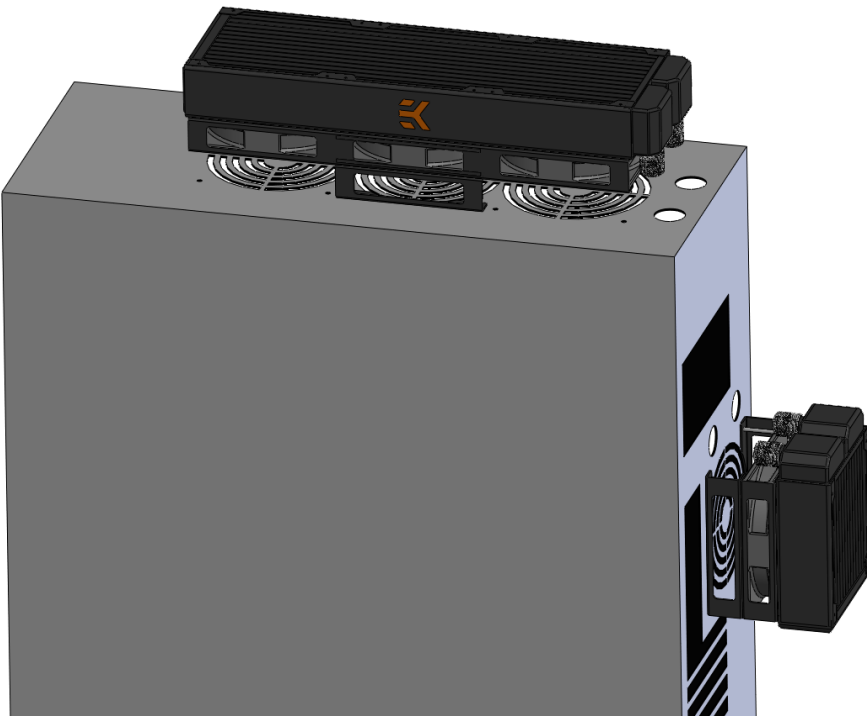


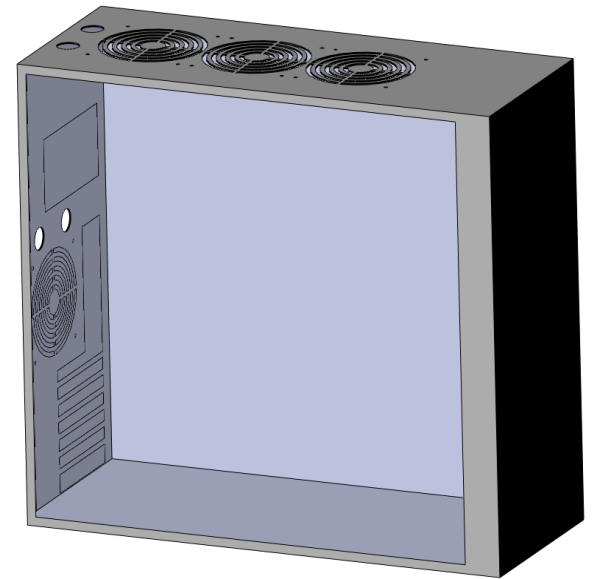
This product is intended for installation only by expert users. Please consult with a qualified technician for installation. Improper installation may result in damage to your equipment. EK Water Blocks assumes no liability whatsoever, expressed or implied, for the use of these products, nor their installation. The following instructions are subject to change without notice. Please visit our web site at [www.ekwaterblocks.com](http://www.ekwaterblocks.com) for updates. Before installation of this product please read important notice, disclosure and warranty conditions printed on the back of the box.

**STEP 1: GENERAL INFORMATION.** Sample picture of mounted radiator with EK-UNI RAD Holder

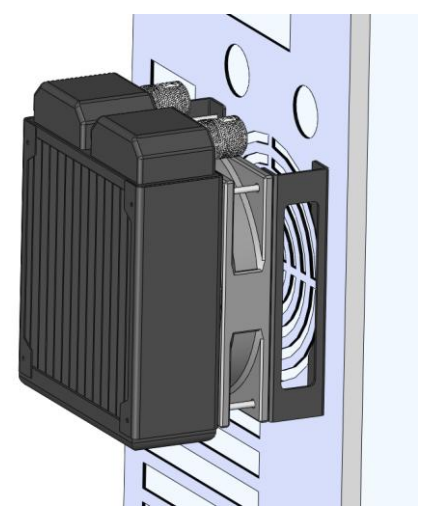
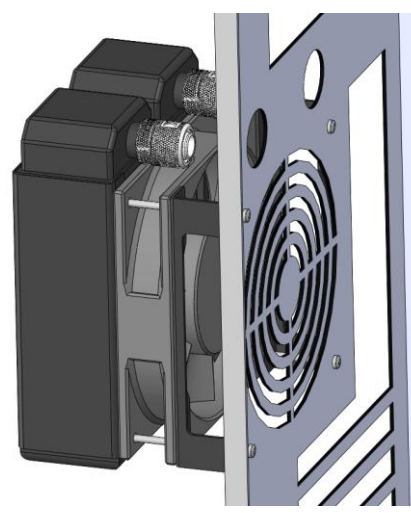
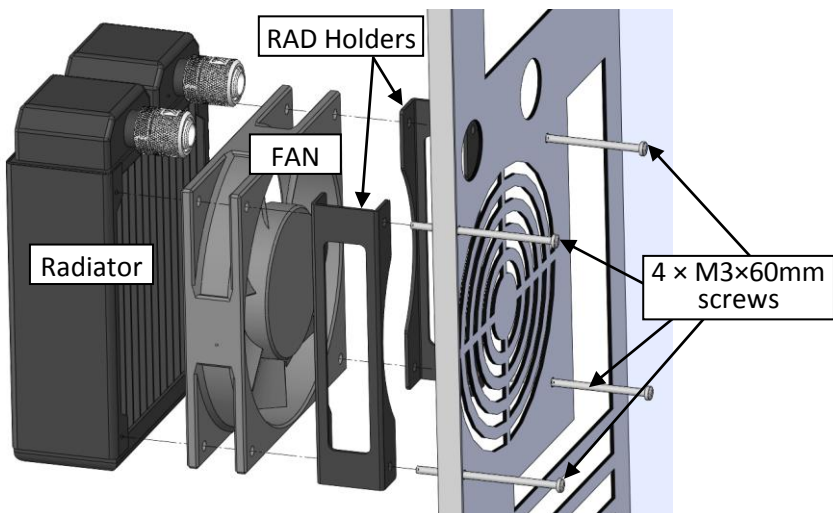


**STEP 2: PREPARING YOUR PC CASE.**

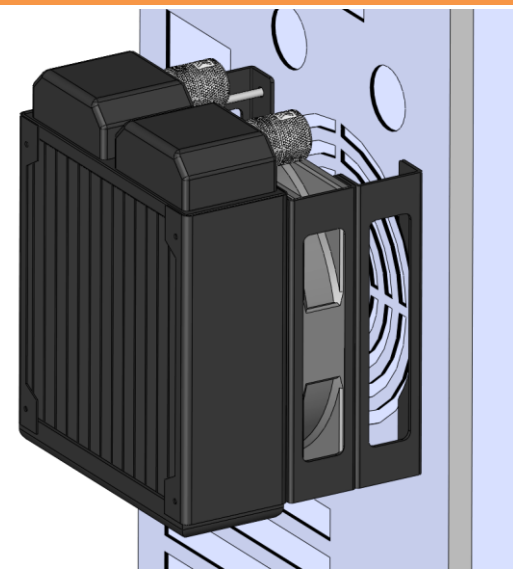
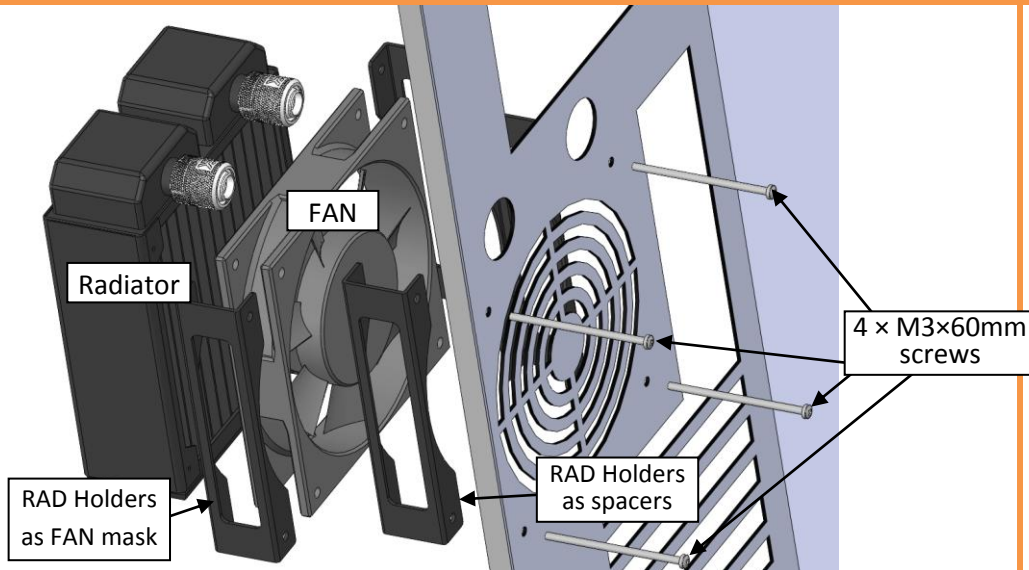
1. Open side panel of your computer case. Remove the fan or fans if there are any installed on the inside on the case.



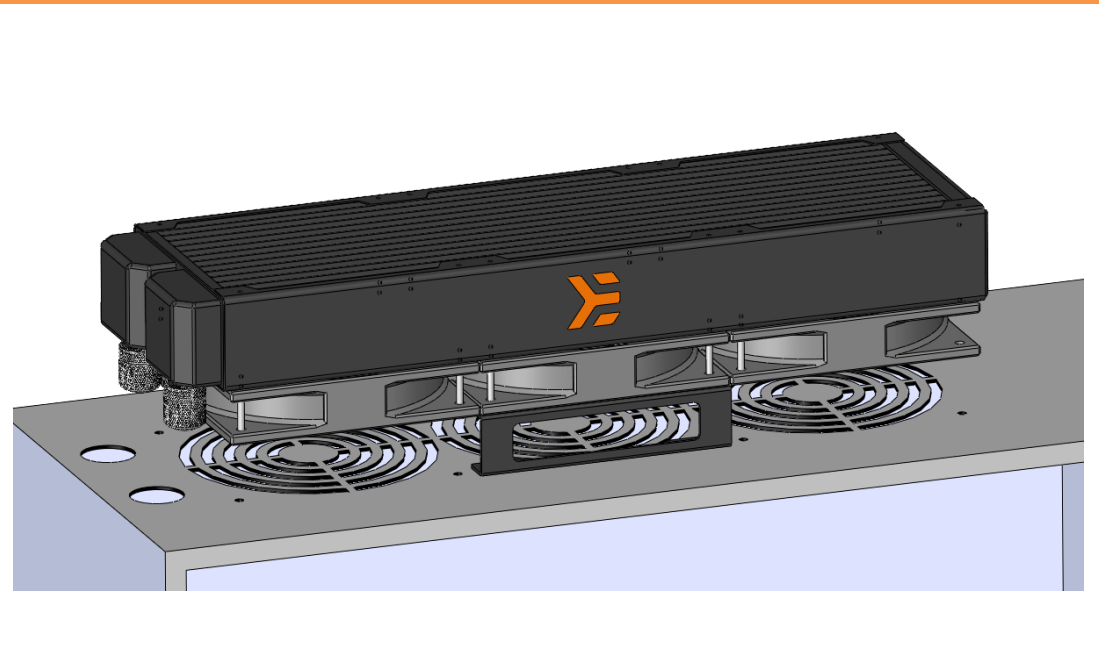
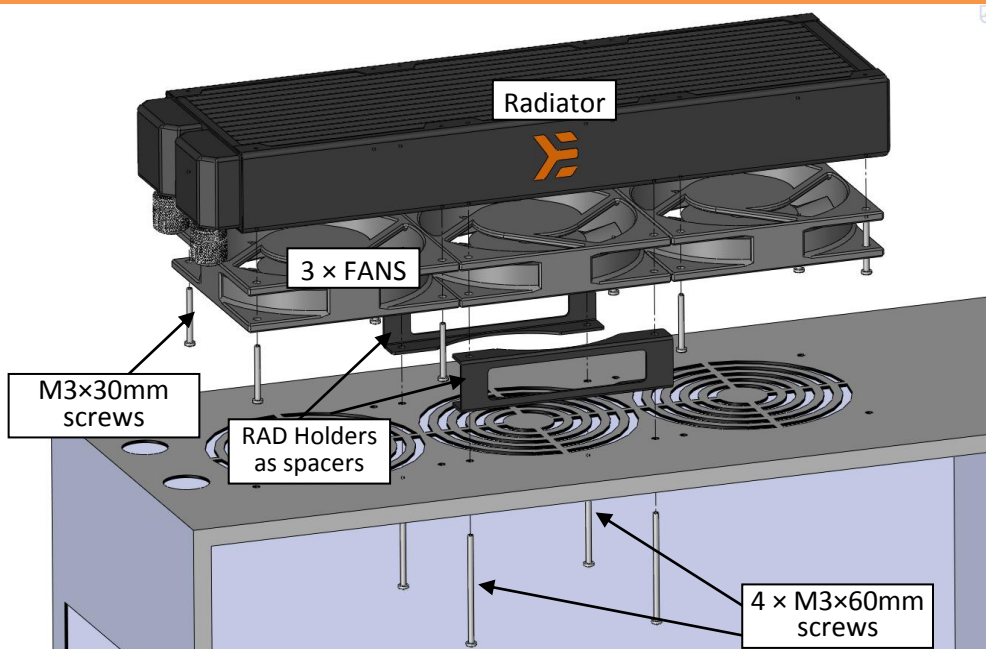
**STEP 2 cont.: Possible mounting positions of radiator with EK-UNI RAD Holders**



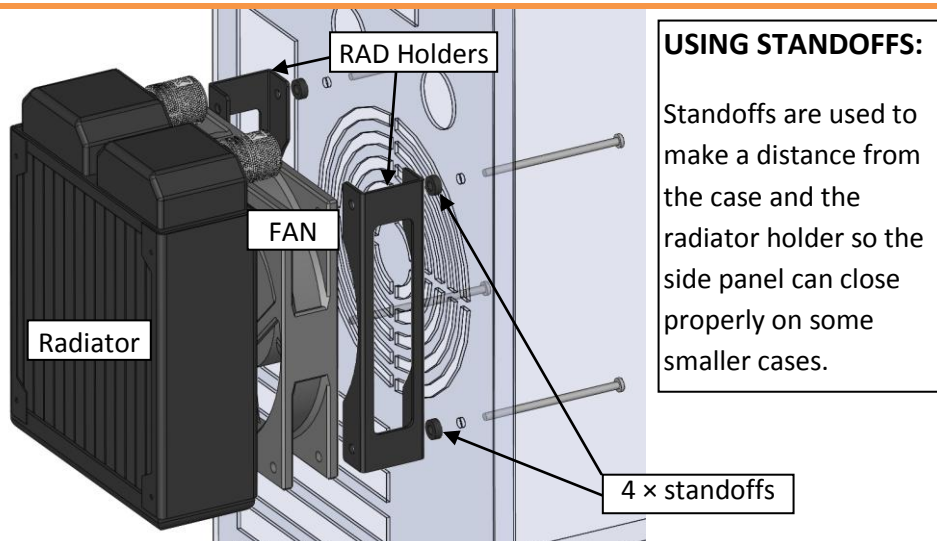
Pictures 1, 2,3: A single 140mm radiator mounted on the back of the case with single 140 UNI RAD Holder as a spacer.



Pictures 4 & 5: A single 140mm radiator mounted on the back of the case with single 140 UNI RAD Holder as a spacer and as a mask for FAN.



Pictures 6 and 7: A triple 420 radiator mounted on the top of the case with single 140 UNI RAD Holder as a spacer.



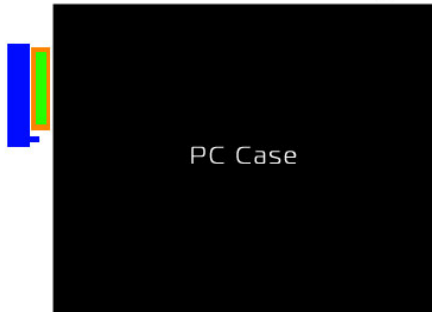
philips screwdriver

Picture 10: Installing the radiator using 4 plastic Standoffs

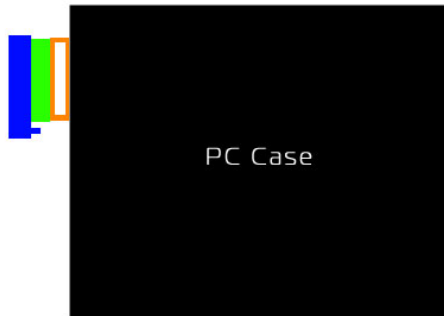
Picture 11: Needed tools

**STEP 3: Some sketches of possible application of EK-UNI RAD Holders**

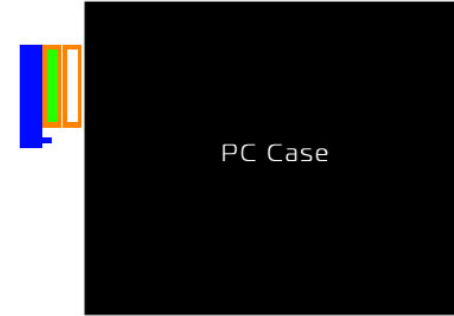
140  
140 radiator  
140 holder as spacer + fan in it  
(fan is also serving as air exhaust out of the case)



140 radiator  
140mm fan  
140 holder as spacer

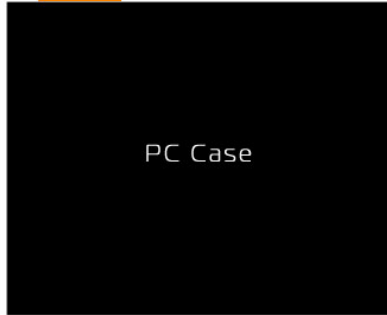


140 radiator  
140 holder + 120mm fan  
140 holder as spacer

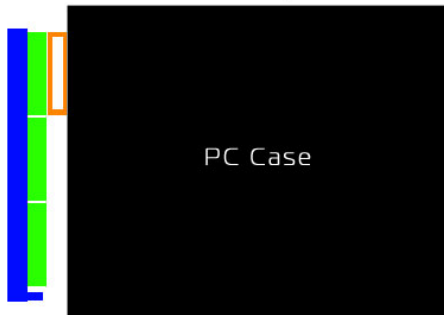


420

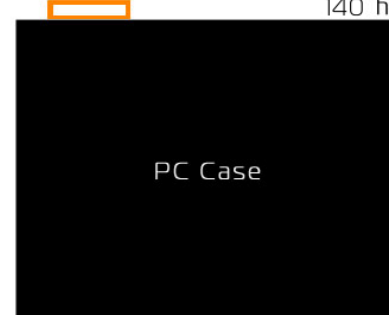
420 radiator  
420 holder + 3 x 140 fans  
140 holder as spacer



420 radiator  
3 x 140 fans  
140 holder as spacer



420 radiator  
3 x 140 fans  
140 holder as spacer



**CAUTION!!!**

**When mounting the radiator with screws, always make sure the screws are not too long. Using too long screws may cause the screws to penetrate too deep into radiator, damaging the radiator tubes, rendering it useless.**