



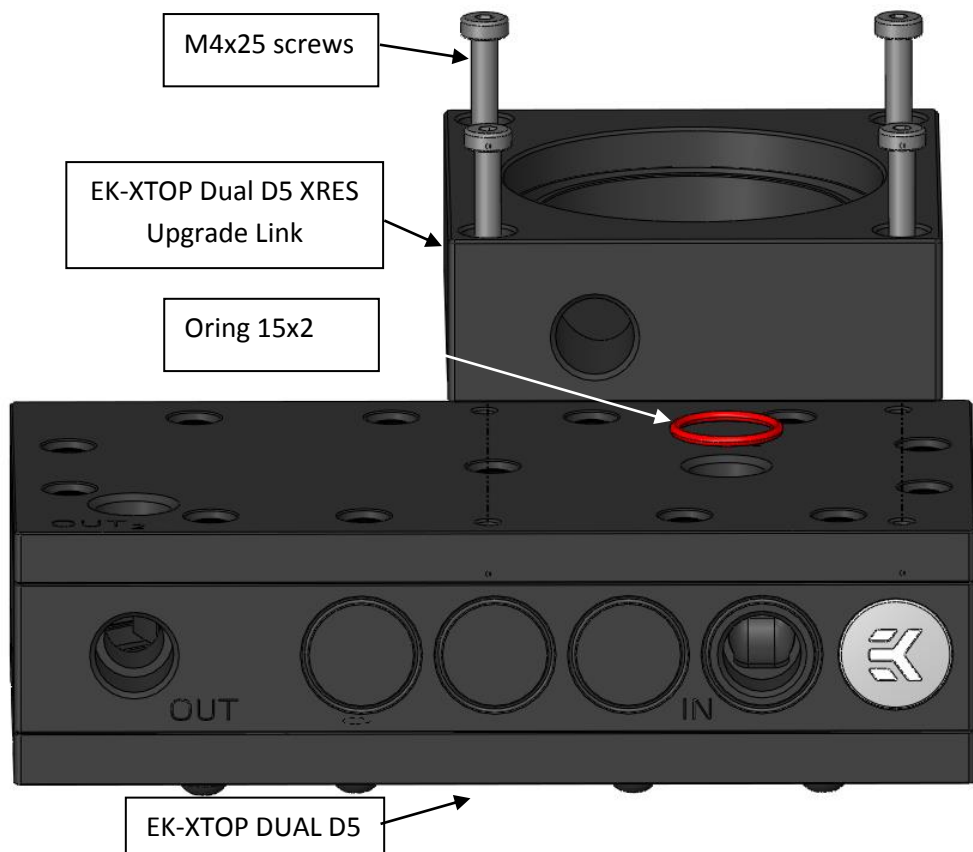
Installation and mounting manual for EK-XTOP Dual D5 XRES Upgrade Link

This product is intended for installation only by expert users. Please consult with a qualified technician for installation. Improper installation may result in damage to your equipment. EK Water Blocks assumes no liability whatsoever, expressed or implied, for the use of these products, nor their installation. The following instructions are subject to change without notice. Please visit our web site at www.ekwb.com for updates. Before installation of this product please read important notice, disclosure and warranty conditions printed on the back of the box.

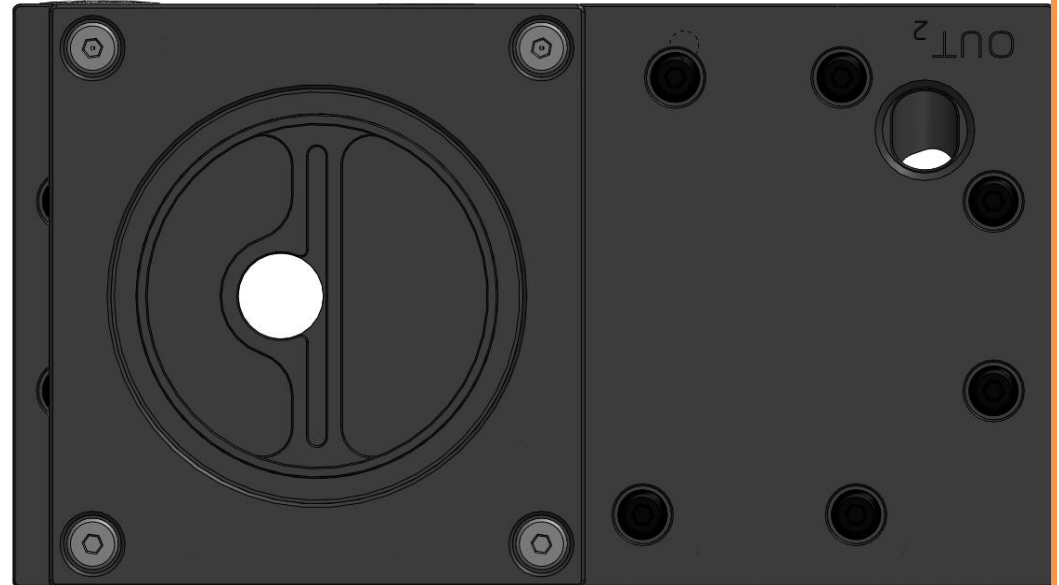
Before you start using this product please follow these basic guidelines:

1. **Please carefully read the manual before through before beginning with the installation process!**
2. **Please remove your motherboard from the computer to assure safest mounting process in order to prevent any possible damages to your CPU and/or motherboard's circuit board (PCB).**
3. **The EK High Flow and EK-PSC type fittings require only a small amount of force to screw them firmly in place since the liquid seal is ensured by the rubber o-ring gaskets.**
4. **The use of corrosion inhibiting coolants is always recommended for any liquid cooling system.**
5. **EKWB recommends 24 hour leak testing for all EK products before powering on the computer. This will eliminate any damages that may occur because of the users improper installation or products imperfections.**

GENERAL INFORMATION and INSTALLATION PROCEDURE



Make sure holes between Link and Top are concentric e.g. all ports are facing same direction. The orientation is very important in order to provide flow optimized by product design. In case of vortex occurrence please use enclosed foam and make it fit into chamber.



All disclosures, notices and warranty conditions are being written on the EKWB website. Please read terms of use.

Released on 1st of October, 2014.



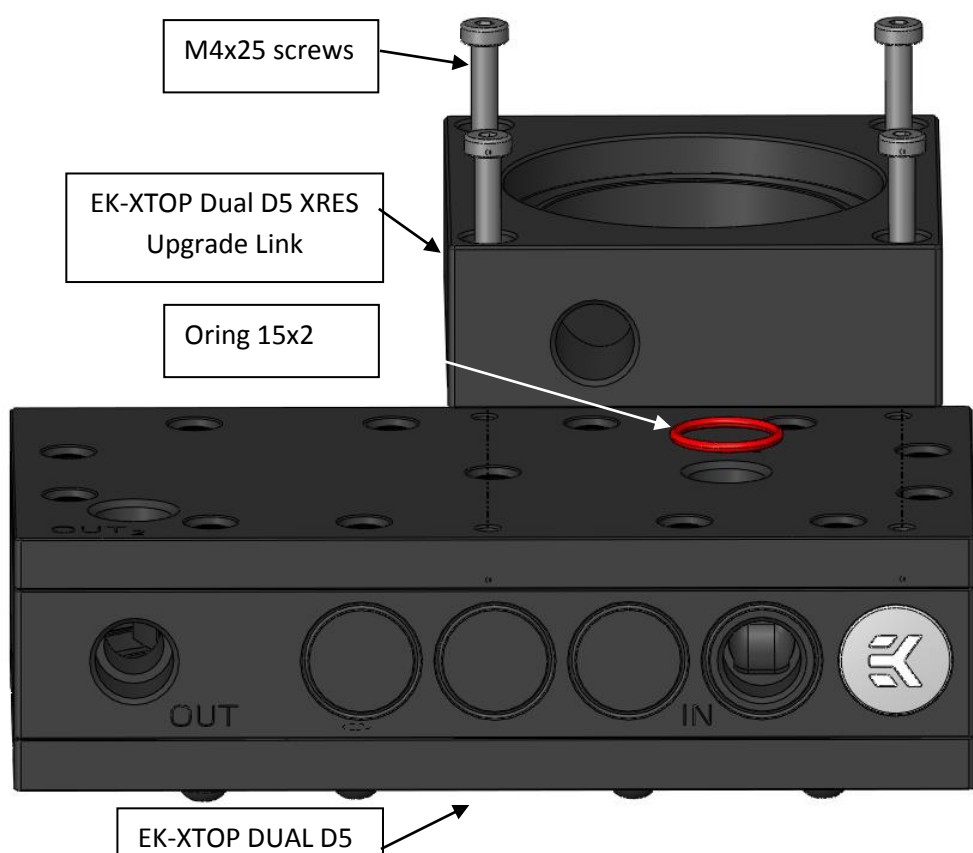
Installation and mounting manual for EK-XTOP Dual D5 XRES Upgrade Link

This product is intended for installation only by expert users. Please consult with a qualified technician for installation. Improper installation may result in damage to your equipment. EK Water Blocks assumes no liability whatsoever, expressed or implied, for the use of these products, nor their installation. The following instructions are subject to change without notice. Please visit our web site at www.ekwb.com for updates. Before installation of this product please read important notice, disclosure and warranty conditions printed on the back of the box.

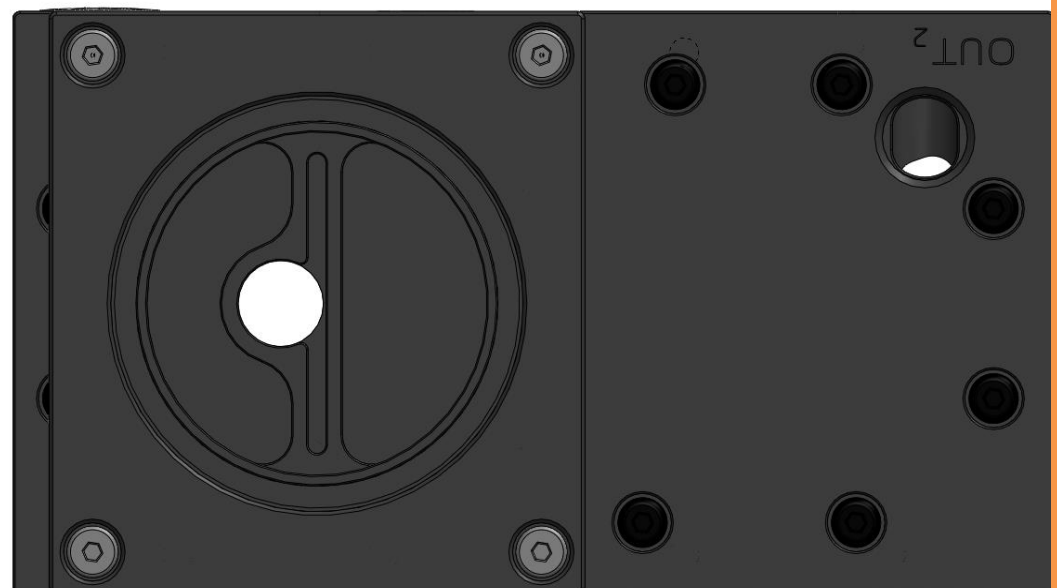
Before you start using this product please follow these basic guidelines:

6. **Please carefully read the manual before through before beginning with the installation process!**
7. **Please remove your motherboard from the computer to assure safest mounting process in order to prevent any possible damages to your CPU and/or motherboard's circuit board (PCB).**
8. **The EK High Flow and EK-PSC type fittings require only a small amount of force to screw them firmly in place since the liquid seal is ensured by the rubber o-ring gaskets.**
9. **The use of corrosion inhibiting coolants is always recommended for any liquid cooling system.**
10. **EKWB recommends 24 hour leak testing for all EK products before powering on the computer. This will eliminate any damages that may occur because of the users improper installation or products imperfections.**

GENERAL INFORMATION and INSTALLATION PROCEDURE



Make sure holes between Link and Top are concentric e.g. all ports are facing same direction. The orientation is very important in order to provide flow optimized by product design. In case of vortex occurrence please use enclosed foam and make it fit into chamber.



All disclosures, notices and warranty conditions are being written on the EKWB website. Please read terms of use.

Released on 1st of October, 2014.