



This product is intended for installation only by expert users. Please consult with a qualified technician for installation. Improper installation may result in damage to your equipment. EK Water Blocks assumes no liability whatsoever, expressed or implied, for the use of these products, nor their installation. The following instructions are subject to change without notice. Please visit our web site at www.ekwb.com for updates. Before installation of this product please read important notice, disclosure and warranty conditions printed on the back of the box.

The barb hose fittings require only a small amount of force to screw them in; otherwise the high flow fittings might break. These fittings do not need to be tightened with much force because the liquid seal is made using O-rings. The use of an algacide and corrosion inhibitors is always recommended for any liquid cooling system.

STEP 1: GENERAL INFORMATION

Sample picture of the EK-BAY Res Dual DDC reservoir.



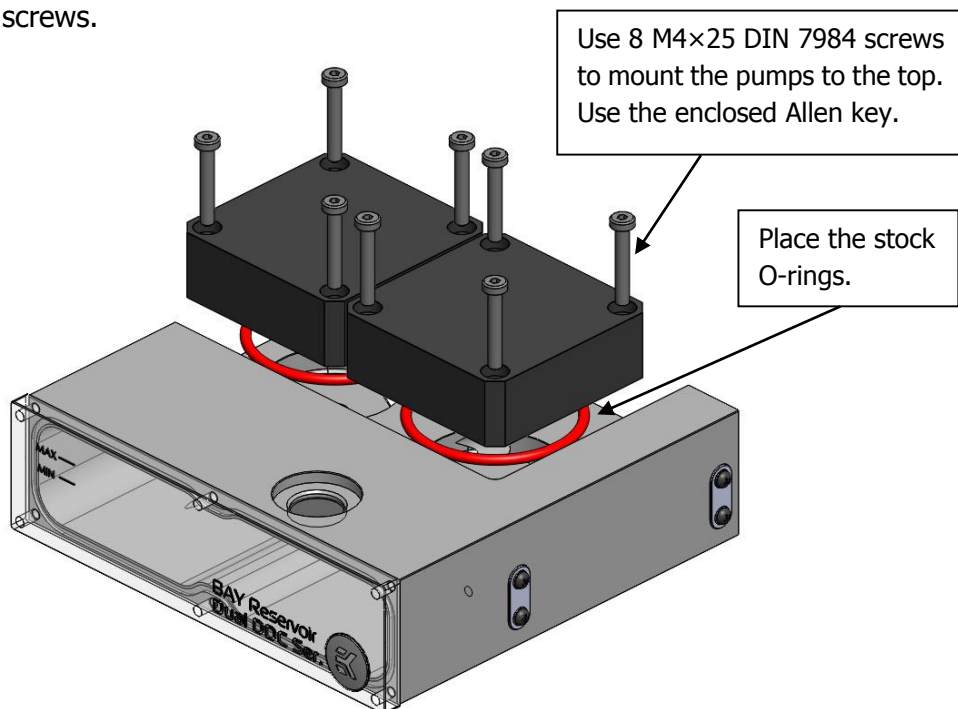
STEP 2: PREPARING THE PUMP

Take your Laing DDC pump. Unscrew the screws that connect stock top (usually you will need a Torx T20 head screwdriver) at the bottom and put the top away as you don't need it any more. Keep it for a warranty reason if pump stops working.



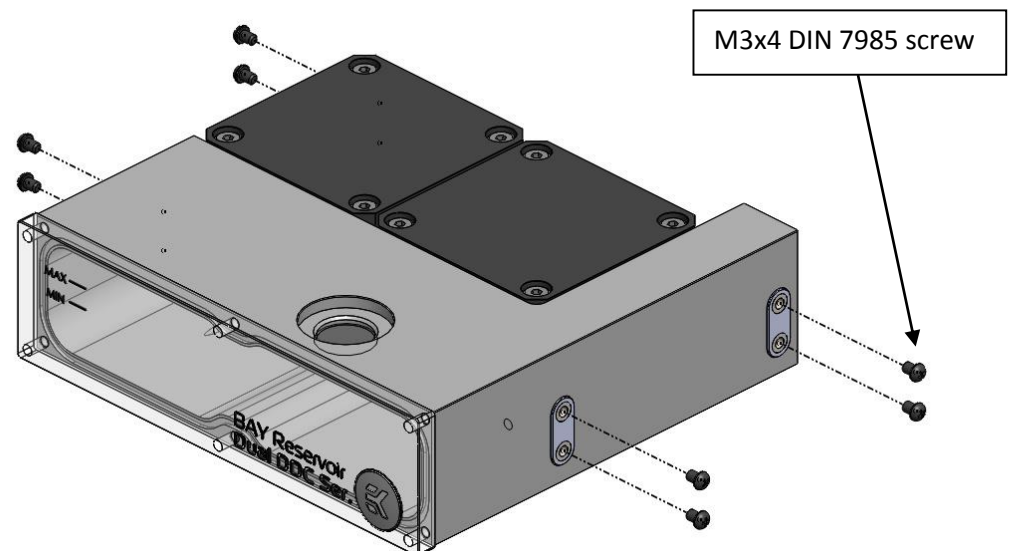
STEP 3: ASSEMBLING THE "EK-BAY Res Dual DDC" WITH TWO PUMPS

Take motor with impeller of your Laing DDC pump. Place it according to the picture. Do not forget to place back the stock O-rings into the pumps' groove. Use enclosed Allen key to secure the pumps with eight (8) M4x25 screws.



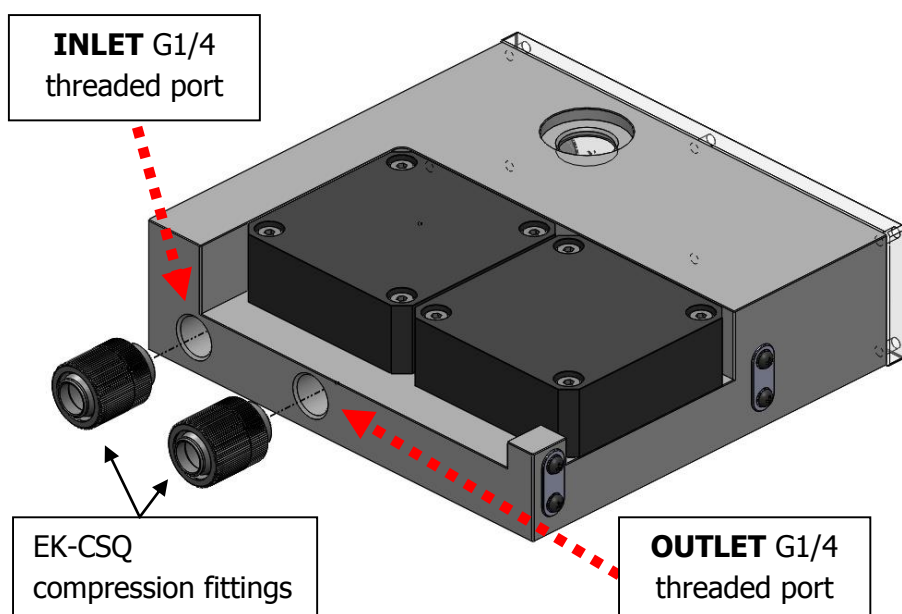
STEP 4: INSERTING THE RESERVOIR TO YOUR COMPUTER CHASSIS

This reservoir occupies one (1) 5.25" drive bay expansion slot in your computer chassis. Free one slot in case they are already occupied with other computer components such as optical or hard disk drives. Place the reservoir in your 5.25" drive bay out with the front plate facing outwards. **After** completing **STEP 6** in this manual, secure the reservoir to the drive bay cage using the enclosed eight (8) M3x4 DIN 7985 screws with Philips head screwdriver.



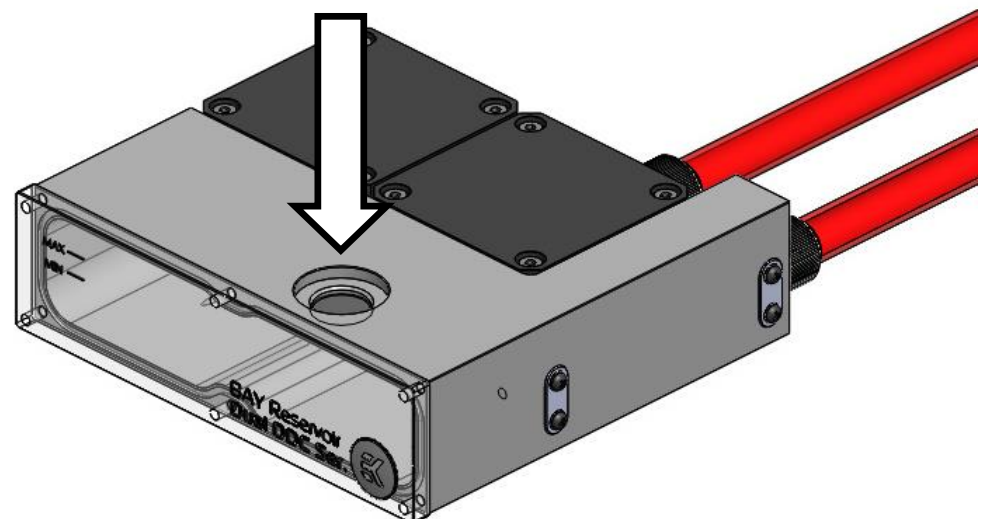
STEP 5: CONNECTING YOUR RESERVOIR

It is mandatory to use the correct **INLET** and **OUTLET** port. As an inlet and outlet port you **need to** use exactly those ports that are shown in the figure below. EK recommends using EK-CSQ compression fittings for best water cooling experience.



STEP 6: FILLING THE RESERVOIR

Fill reservoir through G3/8 threaded fill port (marked with arrow) and make sure liquid is not spilled over your computer or any electrical devices nearby. Run your pumps shortly for couple of times to make sure water floods your tubes and other water cooling components. Pay attention to the water level in your reservoir. Lowest and highest recommendable water levels are indicated on the reservoir's front panel (*MIN*, *MAX*). Once done with the filling process please close your EK-BAY Res Dual Serial reservoir with G3/8 plug and tighten the seal using enclosed Allen key. Now secure the bay reservoir with M3x4 DIN 7985 screws.



STEP 7: OTHER INSTRUCTIONS

VERY IMPORTANT NOTICE: Once the installation is completed, it is a recommended practice to test the cooling circuit for leaks prior to powering up the computer. We recommend a 24 hour leak test prior to powering up the computer. Do not test the water block using tap water pressure. This will rupture the top of the housing and render the block unusable (and will void your warranty). While all efforts have been made to provide the most comprehensive tutorial possible, EK Water Blocks assumes no liability expressed or implied for any consequential damage(s) occurring to your equipment as a result of using EK Water Blocks cooling products, either due to errors or omissions on our part in the above instructions, or due to failure or defect in the EK Water Blocks cooling products.

WARRANTY: Our products are warranted against defects in materials or workmanship for a period of 24 months beginning from the date of delivery to the final user. During this period, products will be repaired or have parts replaced at our discretion provided that: (I) the product is returned to the agent from whom it was purchased; (II) the product has been purchased by an end user and has not used for commercial purposes; (III) the product has not been misused, handled carelessly, or used in a manner other than in accordance with the instructions provided describing its installation and proper use. This warranty does not confer rights other than those expressly set out above and does not cover any claims for consequential loss or damage. This warranty is offered as an extra benefit and does not affect your statutory rights as a consumer. This warranty is voided if the product comes in contact with aggressive UV additives or other improper liquids.

(this paragraph is intentionally left blank)

REQUIRED TOOLS:



Philips and Torx T20 head screwdriver