

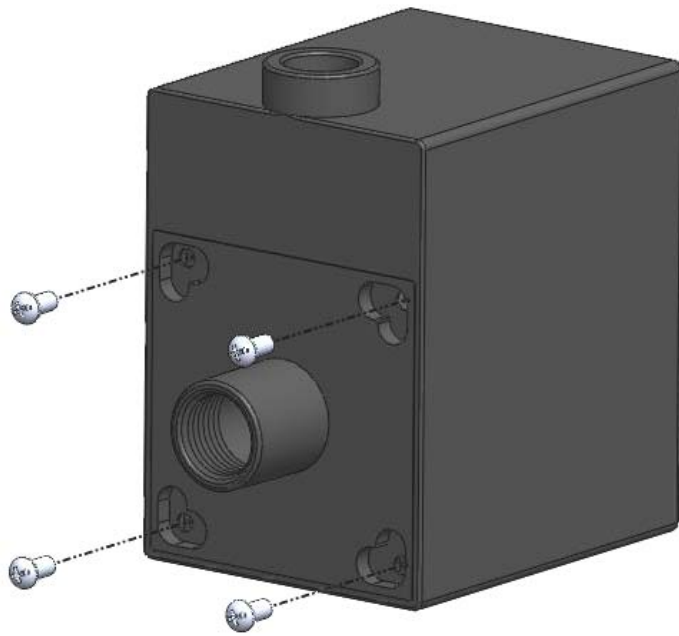
This product is intended for installation only by expert users. Please consult with a qualified technician for installation. Improper installation may result in damage to your equipment. EKWB d.o.o. assumes no liability whatsoever, expressed or implied, for the use of these products, nor their installation. The following instructions are subject to change without notice. Please visit our web site at www.ekwaterblocks.com for updates. **The barb hose fittings require only a small amount of force to screw them in; otherwise the high flow fittings might break. These fittings do not need to be tightened with much force because the liquid seal is made using o-rings.** EKWB recommends 24 hour leak testing for all EK products before powering on the computer. This will eliminate any damages that may occur because of the users improper installation or products imperfections.

STEP 1: GENERAL INFORMATION. Sample picture of EK-Reservoir Combo DCP 4.0 mounted on EK-DCP 4.0 pump.



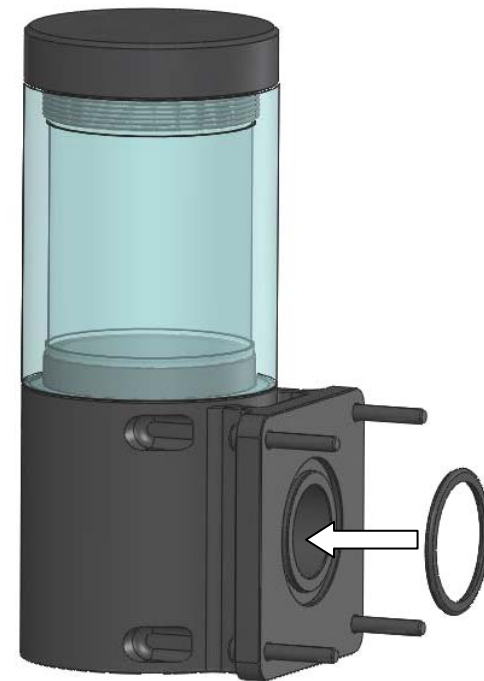
STEP 2: PREPARING YOUR PUMP.

1. **REMOVING SCREWS.** Take your pump (picture represents EK-DCP 4.0) out of package and unscrew screws that are holding cover on pump housing. **DO NOT** open pump as there is no need for doing that.



STEP 3: PREPARING YOUR RESERVOIR.

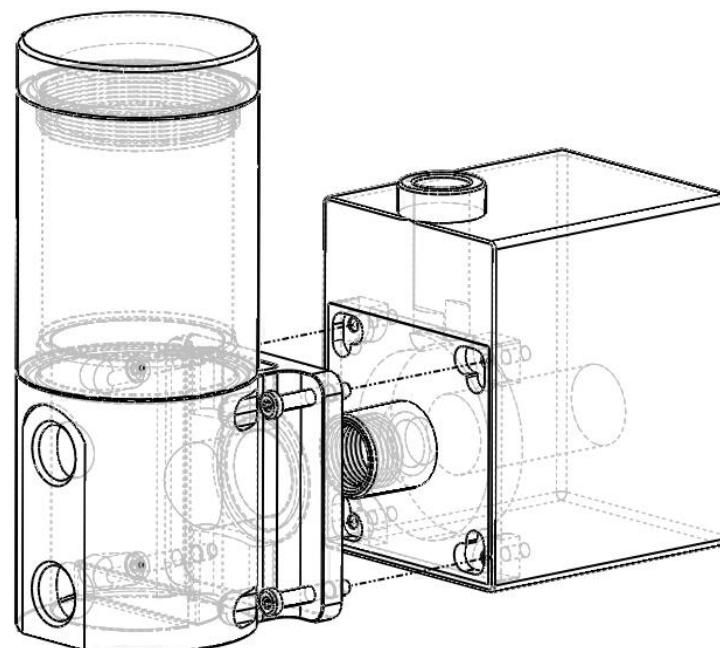
2. Insert 4 enclosed screws M3x20 ISO7380 into holes. After that **insert gasket** into the channel as shown on picture below.



STEP 4: CONNECTING RESERVOIR WITH PUMP.

Put together reservoir and pump and make sure all 4 screws fall into threaded holes on pump. Afterwards screw them in with enclosed allen key. Final product should look like on picture above (step 1).

CAUTION! Please do not use high force when tightening the mounting screws. Applying too much force may damage the mounting screw or threads in the pump and may render the pump useless.



STEP 4: OTHER INSTRUCTIONS

Please note that EKWB holds no responsibility of any kind if assembly is not made by instructions. This applies also for all products that are not listed as compatible on web page (<http://www.ekwaterblocks.com/shop/ek-reservoir-combo-dcp-4-0.html>). Users must by all means also consider instructions that are being made for proper use of pump.

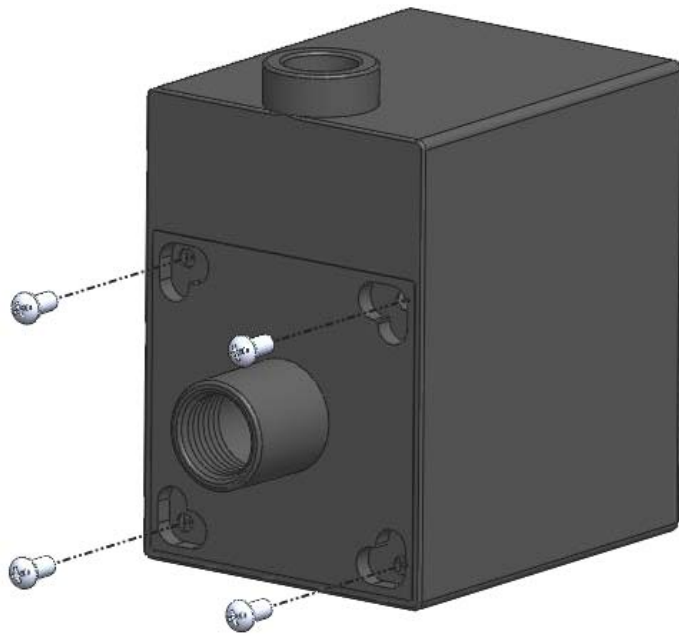
This product is intended for installation only by expert users. Please consult with a qualified technician for installation. Improper installation may result in damage to your equipment. EKWB d.o.o. assumes no liability whatsoever, expressed or implied, for the use of these products, nor their installation. The following instructions are subject to change without notice. Please visit our web site at www.ekwaterblocks.com for updates. **The barb hose fittings require only a small amount of force to screw them in; otherwise the high flow fittings might break. These fittings do not need to be tightened with much force because the liquid seal is made using o-rings.** EKWB recommends 24 hour leak testing for all EK products before powering on the computer. This will eliminate any damages that may occur because of the users improper installation or products imperfections.

STEP 1: GENERAL INFORMATION. Sample picture of EK-Reservoir Combo DCP 4.0 mounted on EK-DCP 4.0 pump.



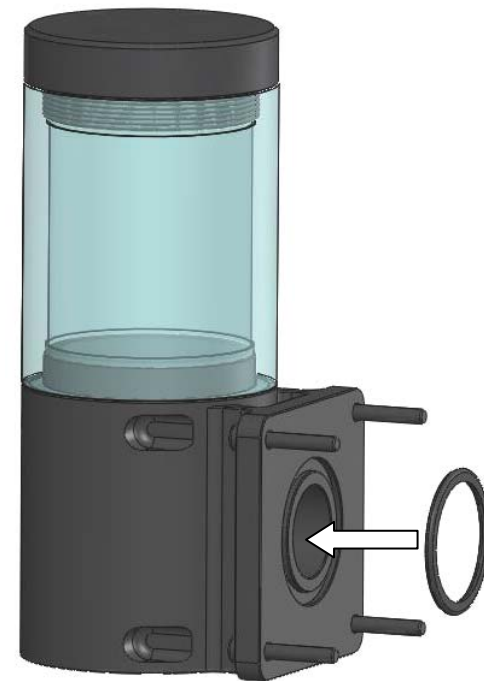
STEP 2: PREPARING YOUR PUMP.

1. **REMOVING SCREWS.** Take your pump (picture represents EK-DCP 4.0) out of package and unscrew screws that are holding cover on pump housing. **DO NOT** open pump as there is no need for doing that.



STEP 3: PREPARING YOUR RESERVOIR.

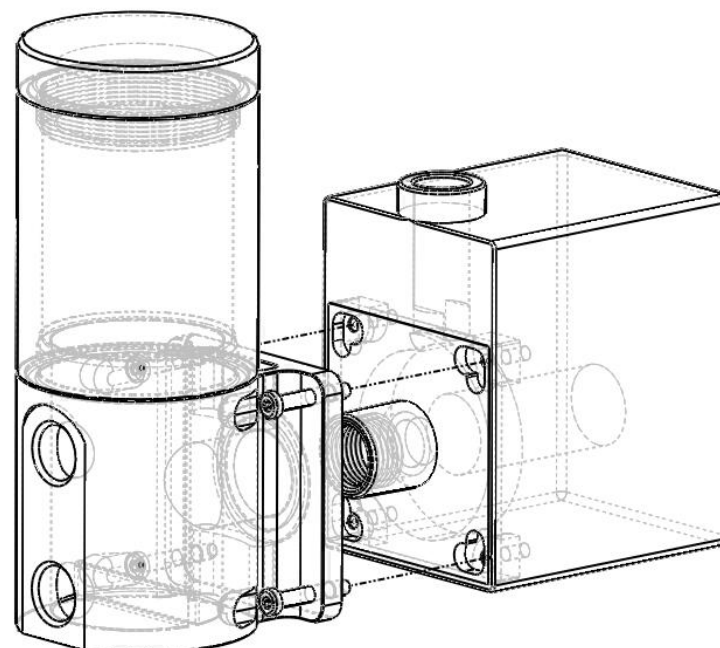
2. Insert 4 enclosed screws M3x20 ISO7380 into holes. After that **insert gasket** into the channel as shown on picture below.



STEP 4: CONNECTING RESERVOIR WITH PUMP.

Put together reservoir and pump and make sure all 4 screws fall into threaded holes on pump. Afterwards screw them in with enclosed allen key. Final product should look like on picture above (step 1).

CAUTION! Please do not use high force when tightening the mounting screws. Applying too much force may damage the mounting screw or threads in the pump and may render the pump useless.



STEP 4: OTHER INSTRUCTIONS

Please note that EKWB holds no responsibility of any kind if assembly is not made by instructions. This applies also for all products that are not listed as compatible on web page (<http://www.ekwaterblocks.com/shop/ek-reservoir-combo-dcp-4-0.html>). Users must by all means also consider instructions that are being made for proper use of pump.