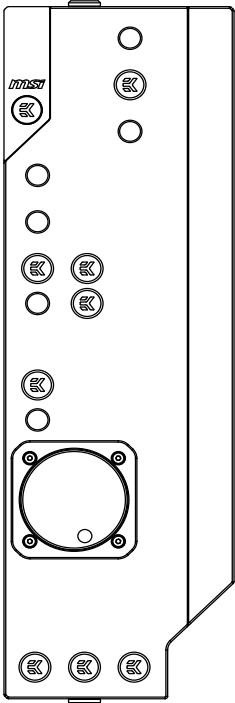


EK-Quantum Reflection² MEG Prospect 700R D-RGB – Plexi

DISTRIBUTION PLATE



Please note the installation of the product is intended to be undertaken by an adequately trained and experienced person. You are installing the product at your own risk. If you are not properly trained or experienced or feel unsure about the installation procedure, please refrain from installing the product yourself and contact our tech support for assistance. We disclaim our liability for any damages to the product as well as incidental, consequential, or indirect damages incurred due to improper or inappropriate installation

Before you start using this product please follow these basic guidelines:

Please carefully read the manual before beginning with the installation process!

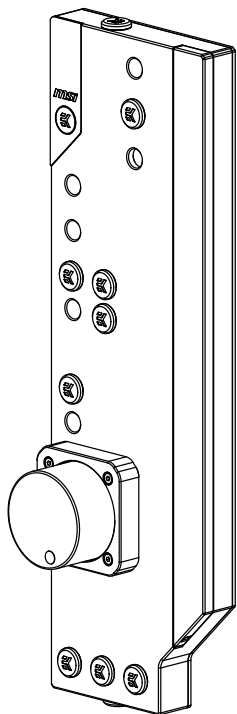
The EK Fittings require only a small amount of force to screw them firmly in place since the liquid seal is ensured by the rubber O-ring gaskets.

The use of corrosion inhibiting coolants is always recommended for any liquid cooling system. EKWB recommends any of the EK Cryofuel for worry-free usage.

TABLE OF CONTENT

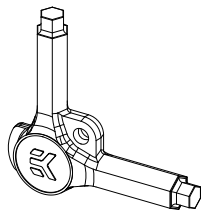
BOX CONTENTS	4
DISTRIBUTION PLATE DIMENSIONS	5
TECHNICAL SPECIFICATIONS AND PRODUCT PARTS	6
PREPARING THE MEG PROSPECT 700R CASE	7
INSTALLATION OF "EK-Quantum Reflection² MEG Prospect 700R D-RGB – Plexi" DISTRIBUTION PLATE INTO CHASSIS	8
RECOMMENDED DISTRIBUTION PLATE CONFIGURATIONS	10
FLOW DIAGRAM	12
CONNECTING THE D-RGB LED STRIP	13
CONNECTING THE PUMP	13
TESTING THE LOOP	14
SUPPORT AND SERVICE	15
SOCIAL MEDIA	15

BOX CONTENTS

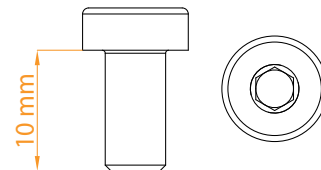


EK-Quantum Reflection² MEG Prospect
700R D-RGB - Plexi, EAN: 3831109859797

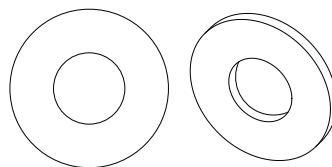
Mounting mechanism Reflection2 MEG Prospect 700R EAN: 106447



EK-Loop Multi Allen Key (1 pc)



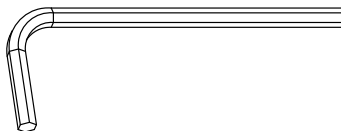
Screw M4 x 10 DIN7984 (6 pcs)



Metal Washer M4 x 0.8 (6 pcs)

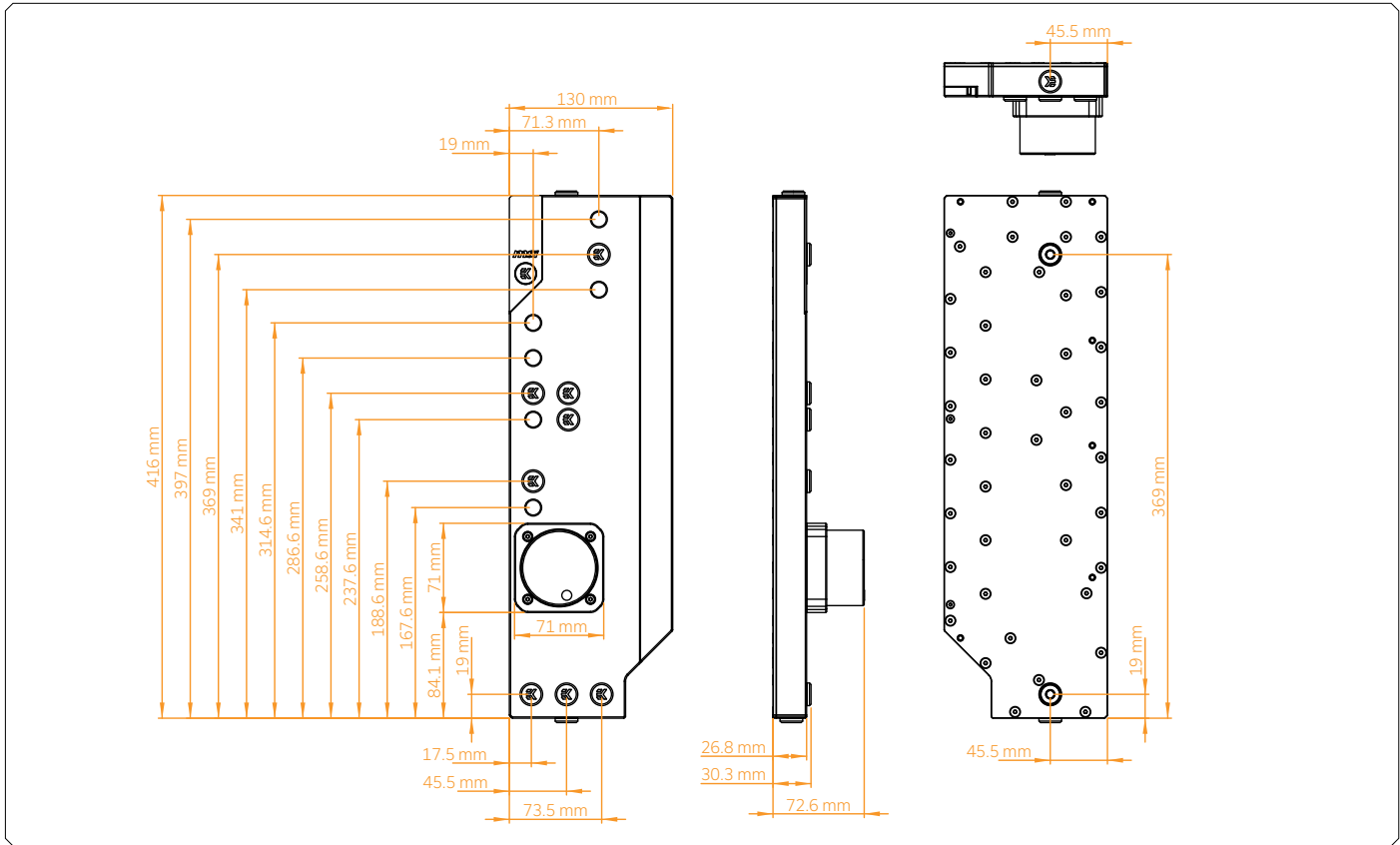


Allen Key 2.5 mm (1 pc)



Allen Key 2 mm (1 pc)

DISTRIBUTION PLATE DIMENSIONS



TECHNICAL SPECIFICATIONS AND PRODUCT PARTS

Technical Specification:

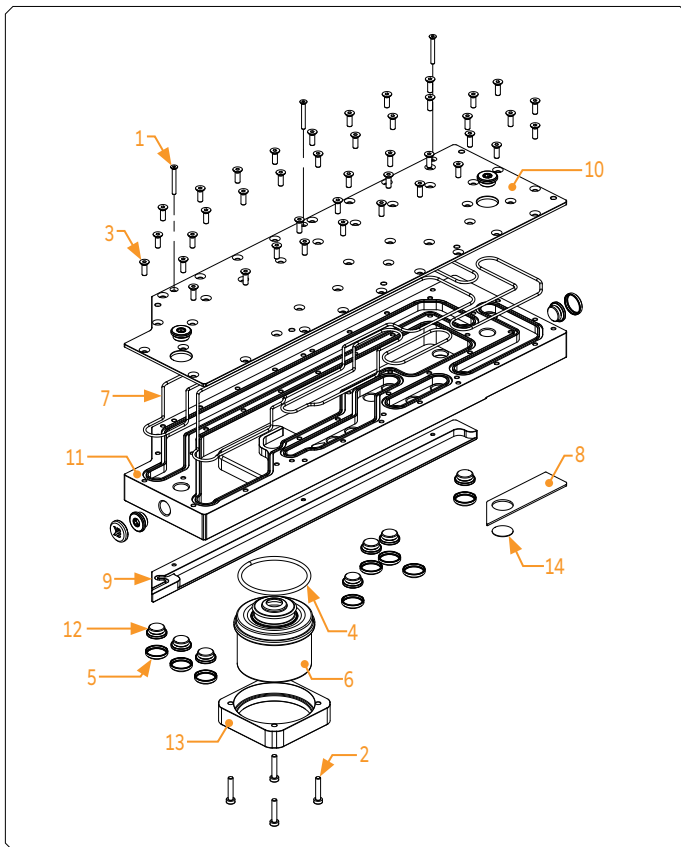
Dimensions with the attached pump (W x D x H): 416 x 130 x 72.6 mm

- D-RGB LED count: 19

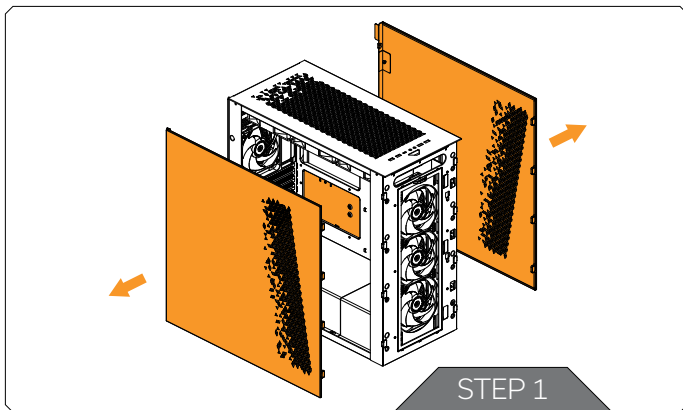
- D-RGB cable length: 500 mm

- D-RGB connector standard 3-pin (+5V, Data, Blocked, Ground)

Position	EAN	Description	Quantity
1	9061	Screw M3 x 25 DIN7991	3
2	8311	Screw M4 x 20 DIN7984	4
3	8206	Screw M4 x 12 7991DIN	41
4	5154	Pump OR 52 x 3 mm	1
5	3831109834282	Plug Cover (Black)	10
6	3831109813898	EK-D5 PWM (12V SATA)	1
7	104310	OR Set	1
8	104290	Sticker - MSI Branding	1
9	104289	LED Cover (Black Elox)	1
10	104287	Backplate	1
11	104286	TOP plate (Plexi)	1
12	102639	EK-Plug G1/4 (Nickel)	12
13	101803	Pump Mount	1
14	100815	LED D-RGB Strip 500/400 mm	1
15	100663	EK-Badge	1

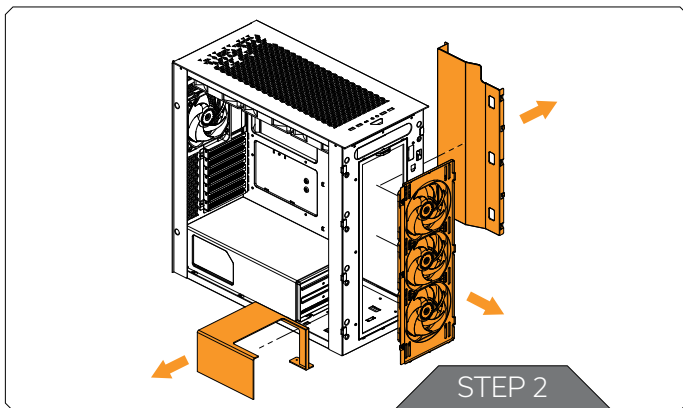


PREPARING THE MEG PROSPECT 700R CASE



STEP 1

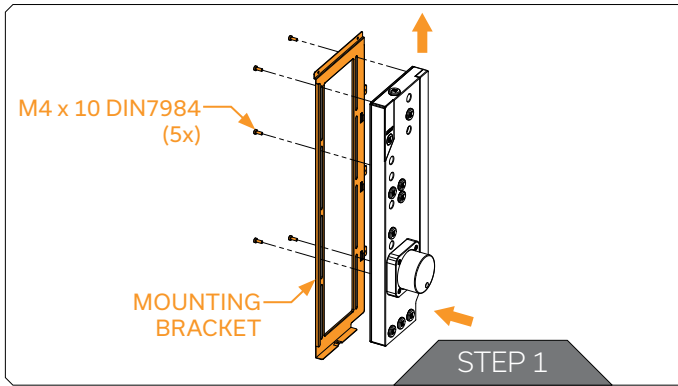
Remove the front and back panel of your MEG PROSPECT 700R case.



STEP 2

Remove the back cable cover panel, the bottom storage shroud and front bracket with fans. If there are any additional fans or brackets blocking insertion of the distribution plate, we suggest you remove those as well.

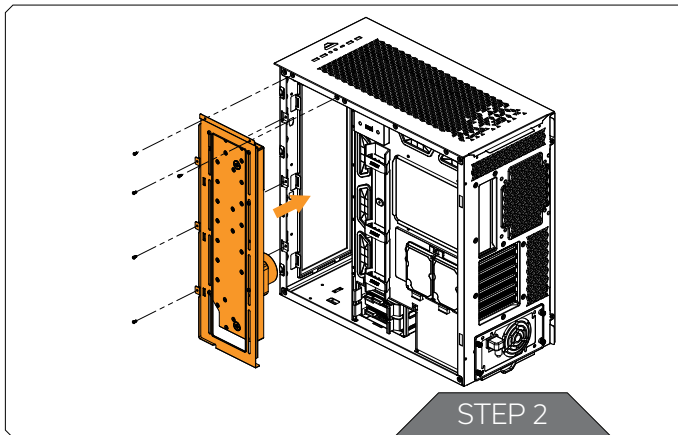
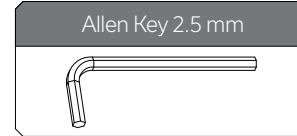
INSTALLATION OF “EK-Quantum Reflection² MEG Prospect 700R D-RGB – Plexi” DISTRIBUTION PLATE INTO CHASSIS



STEP 1

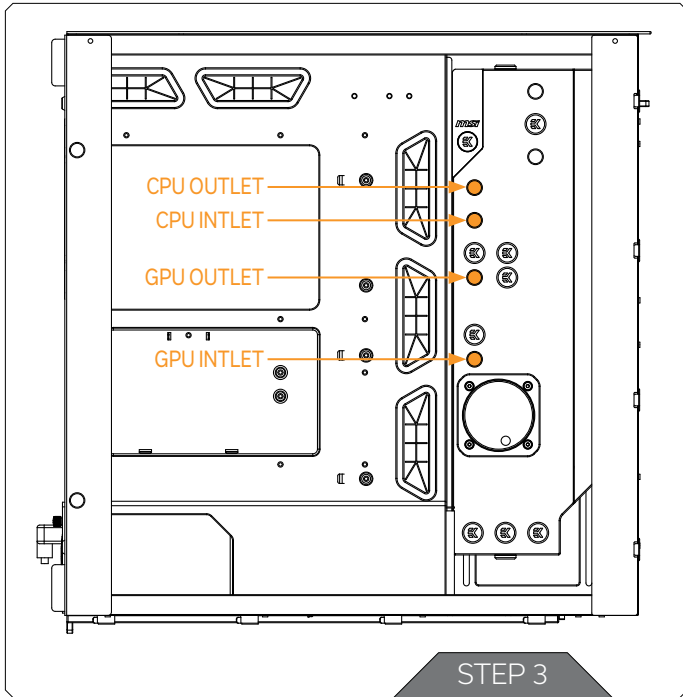
Place the “EK-Quantum Reflection² MEG Prospect 700R D-RGB – Plexi” distribution plate as high as possible on the bracket and loosely tighten the screws so you can still barely move the distribution plate. Bracket and distribution plate must be aligned as seen in STEP 1 picture. This step is crucial if you want to install straight tubing with MATRIX7 compliance.

For this step you will need:



STEP 2

Once you have successfully mounted the “EK-Quantum Reflection² MEG Prospect 700R D-RGB – Plexi” distribution plate on the bracket outside the case, place it and tighten it from the back side of the case after the holes are aligned properly and the orientation is as seen in STEP 2 picture.



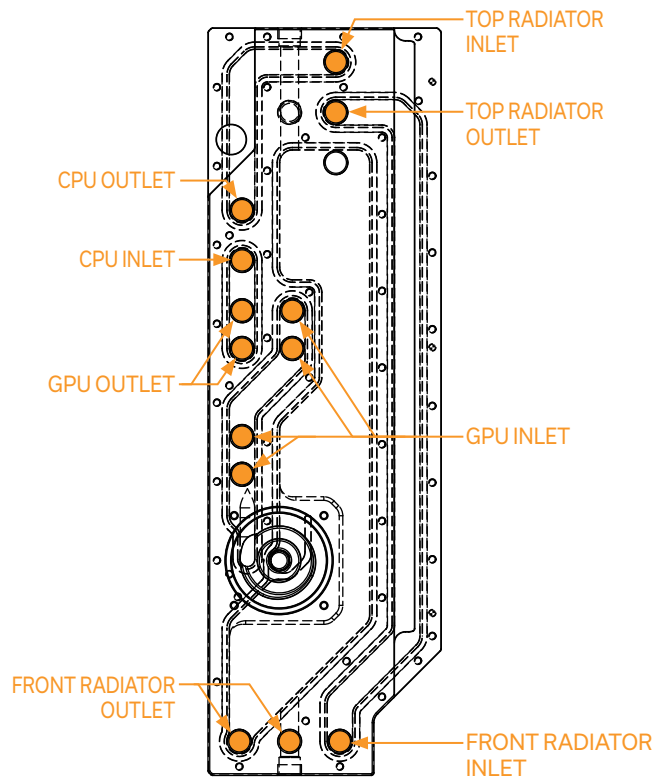
STEP 3

Matrix7 compliance:

When you have secured the "EK-Quantum Reflection² MEG Prospect 700R D-RGB - Plexi" distribution plate inside the case, align it with your GPU water block and CPU water block ports for Matrix7 compliance and tighten the loose screws from STEP 1 on the back side of the distribution plate bracket.

RECOMMENDED DISTRIBUTION PLATE CONFIGURATIONS

USING BOTH RADIATORS



Note that the top or front radiator is completely optional and a closed loop without either one can be completed.

To complete your loop, all ports must be used as marked in the image.

All remaining unused ports must be closed with supplied plugs, using the EK-Loop Multi Allen Key.

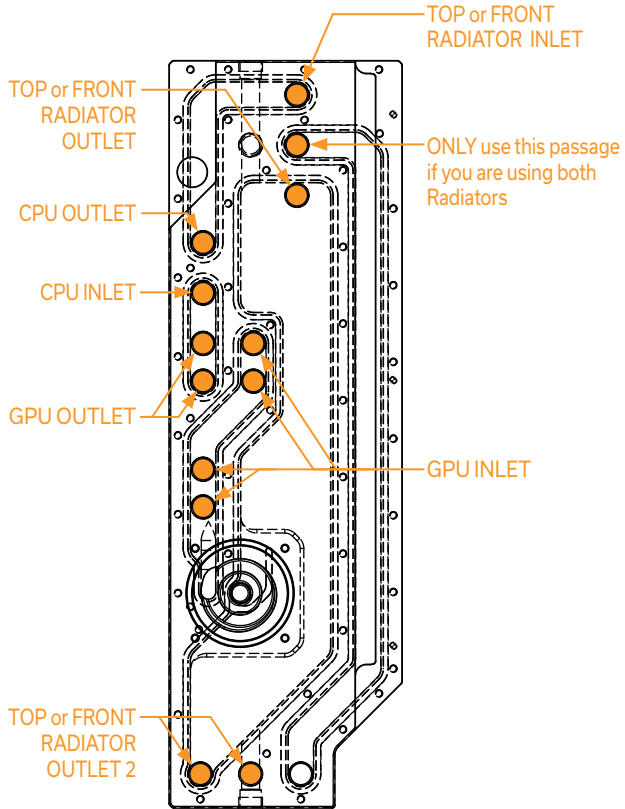


If one of the prescribed components will not be installed (ie. The Front radiator or GPU block) then one INLET and one OUTLET port must still be joined together in order for this distribution plate to function!

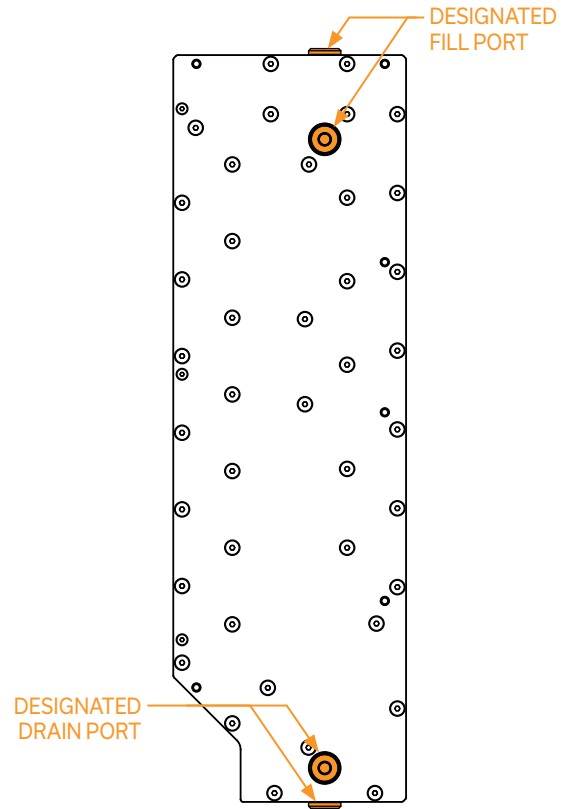


Only one INLET and one OUTLET port for the GPU connection can be used, while all other INLET and OUTLET GPU ports must be closed with G1/4 plugs (enclosed in the package).

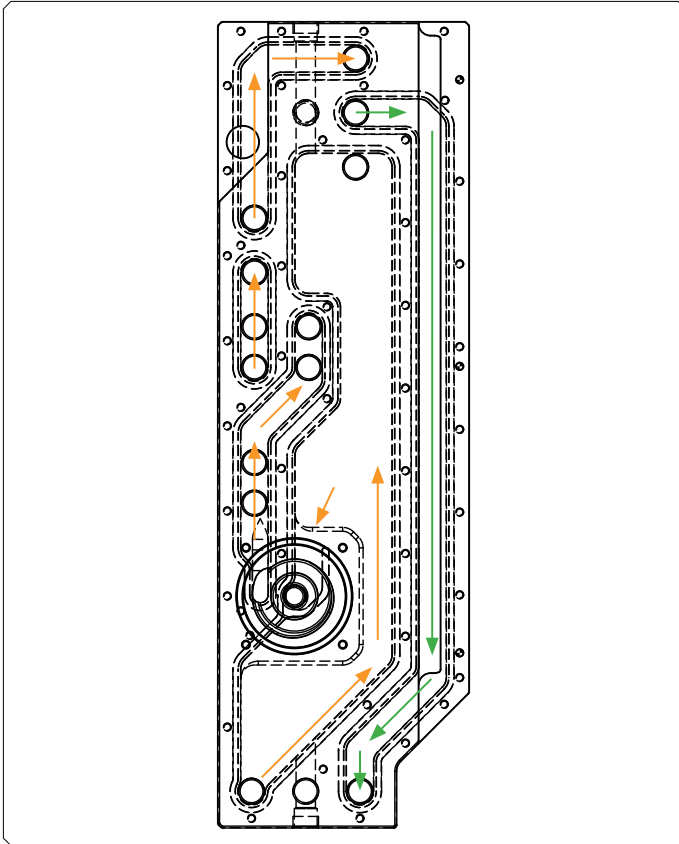
USING TOP OR FRONT RADIATOR



BACK SIDE OF DISTRIBUTION PLATE



FLOW DIAGRAM

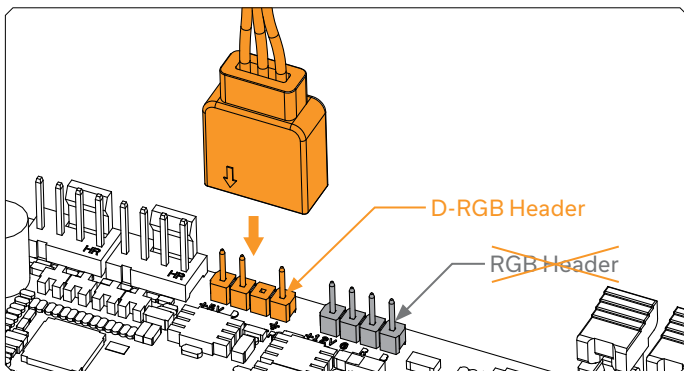


Example of flow using FRONT and TOP Radiator.

We recommend using the **green flow** (right most passage) only with two Radiators.

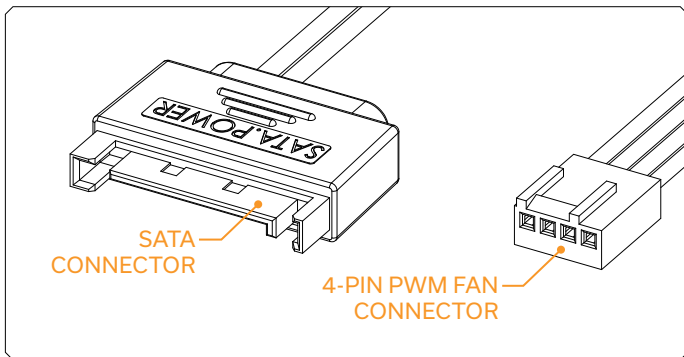
Coolant flow in this passage isn't possible unless you are using both TOP and BOTTOM port of the passage.

CONNECTING THE D-RGB LED STRIP



Plug the 3-pin connector of the distribution plate D-RGB LED light to the D-RGB HEADER on the motherboard. The LED will work if the pin layout on the header is as follows: **+5V, Digital, Empty, Ground.**

CONNECTING THE PUMP



The EK-D5 PWM pump has two connectors.

- 1. SATA Connector:** It must be connected directly to your PSU at all times as it is used to power the pump.
- 2. 4-pin PWM fan:** It can be connected to your motherboard's CPU_ Fan or designated water pump header. It can also be connected to a controller. This cable is used to control and report the rotational speed of the pump. If it's not connected, the pump will run at maximum speed (100% PWM).

TESTING THE LOOP

To make sure the installation of EK components was successful, we recommend you perform a leak test for 24 hours.

When your loop is complete and filled with coolant, connect the pump to a PSU outside of your system. Do not connect power to any of the other components. Turn on the PSU and let the pump run continuously. It is normal for the coolant level to drop during this process as air collects in the distribution plate.

Inspect all parts of the loop, and in the eventuality that coolant leaks, fix the issue and repeat the testing process. Ensure that all hardware is dry before the system is powered on in order to prevent any damage.

SUPPORT AND SERVICE

In case you need assistance or wish to order spare parts or a new mounting mechanism, please contact:


<https://www.ekwb.com/customer-support/>

For spare parts orders, refer to the page with "TECHNICAL SPECIFICATIONS AND PRODUCT PARTS" where you can find the EAN number of each part you might need.


Include the EAN number with quantity in your request. Mounting Mechanism EAN can be found under "BOX CONTENTS"

Thermal pads are readily available in the EK shop


SOCIAL MEDIA

 EKWaterBlocks

 @EKWaterBlocks

 ekwaterblocks

 EKWBofficial

 ekwaterblocks

